



J.C. GUPTA & SONS

GSTIN : 29AABFJ2719C1ZO
IEC : 00710030274

Fastener Super Speciality

#7/A, Sree Venkateshwara Building, Sadar Patrappe Road, Bengaluru - 560002

41478141, 9880539870 www.jcfasteners.com sales@jcfasteners.com

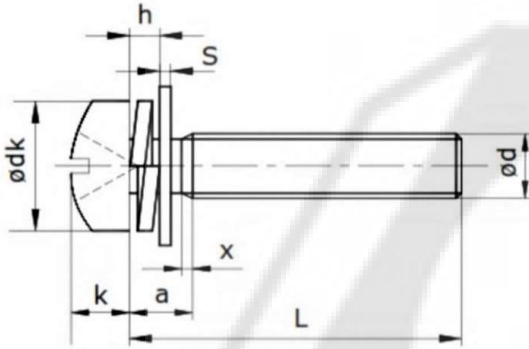


SEMS SCREWS (SCREW WASHER ASSEMBLY)

PAN (+) Screw with assembled Plain Washer & Spring Washer

Catalogue Datasheet **B4B20**

AISI 304 A2



Dimensions in mm

Size→ Parameter↓	M1.6x0.35	M2x0.4	M2.5x0.45	M3x0.5	M4x0.7	M5x0.8	M6x1.0
dk (max)	3.00	3.50	4.50	5.50	7.00	9.00	10.50
dk (min)	2.60	3.20	4.20	5.20	6.64	8.50	9.80
k (max)	1.10	1.50	1.90	2.30	2.90	3.50	4.30
k (min)	0.90	1.26	1.66	2.01	2.61	3.20	4.00
D max)	4.00	5.00	6.00	7.00	9.00	10.00	12.00
a (max)	2.20	2.50	3.00	3.30	4.00	4.50	6.00
x (max)	0.70	0.80	0.90	1.00	1.40	1.60	1.80
h (nom)	0.90	1.00	1.20	1.60	1.80	2.40	3.20
m (ref)	1.80	1.90	2.70	3.50	4.40	4.90	5.50
s (max)	0.30	0.30	0.55	0.55	0.90	1.10	1.70
s (min)	0.30	0.30	0.45	0.45	0.70	0.90	1.50

Quote the item code given below with your order/ inquiries:

Size→ Length↓	M1.6x0.35	M2x0.4	M2.5x0.45	M3x0.5	M4x0.7	M5x0.8	M6x1.0
5	B4B2010605	B4B2002005	B4B2020505	B4B2003005			
6	B4B2010606	B4B2002006	B4B2020506	B4B2003006	B4B2004006		
8	B4B2010608	B4B2002008	B4B2020508	B4B2003008	B4B2004008	B4B2005008	
10	B4B2010610	B4B2002010	B4B2020510	B4B2003010	B4B2004010	B4B2005010	B4B2006010
12	B4B2010612	B4B2002012	B4B2020512	B4B2003012	B4B2004012	B4B2005012	B4B2006012
14	B4B2010614	B4B2002014	B4B2020514	B4B2003014	B4B2004014	B4B2005014	B4B2006014
16	B4B2010616	B4B2002016	B4B2020516	B4B2003016	B4B2004016	B4B2005016	B4B2006016
18		B4B2002018	B4B2020518	B4B2003018	B4B2004018	B4B2005018	B4B2006018
20		B4B2002020	B4B2020520	B4B2003020	B4B2004020	B4B2005020	B4B2006020
25			B4B2020525	B4B2003025	B4B2004025	B4B2005025	B4B2006025
30				B4B2003030	B4B2004030	B4B2005030	B4B2006030
35					B4B2004035	B4B2005035	B4B2006035
40					B4B2004040	B4B2005040	B4B2006040
45					B4B2004045	B4B2005045	B4B2006045
50					B4B2004050	B4B2005050	B4B2006050

Sizes in BLUE are non-preferred. Availability is limited and MOQ is higher.

Data is strictly informative

Note: All Austenitic Stainless Steel Fasteners may exhibit some magnetic properties due to the manufacturing process. Refer: ISO 3506-2