



Since : 1993

J.C. GUPTA & SONS

Fastener Super Speciality

GSTIN : 29AABFJ2719C1ZO
IEC : 00710030274

#7/A, Sree Venkateshwara Building, Sadar Patrapa Road, Bengaluru - 560002



41478141, 9880539870



www.jcfasteners.com



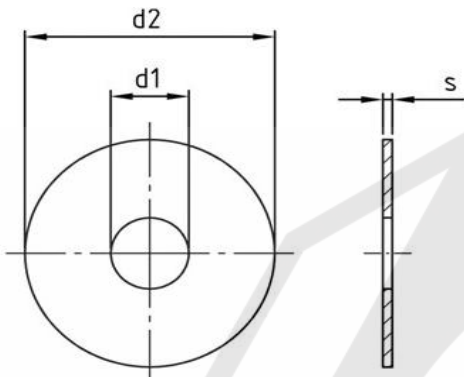
sales@jcfasteners.com

PENNY WASHER



Catalogue Datasheet **B6D49**

Stainless Steel A4/1.4401 (SS316)



Quote the item code given below with your order/ inquiries:

Dimensions in mm

| Bolt Size | Item Code | Inner Diameter d1 | | Outer Diameter d2 | | Thickness |
|-----------|------------|-------------------|------|-------------------|-------|-------------|
| | | Max | Min | Max | Min | s |
| M4 | B6D4904112 | 4.48 | 4.30 | 12.00 | 11.57 | 1.00 ± 0.20 |
| | B6D4904115 | 4.48 | 4.30 | 15.00 | 14.57 | 1.00 ± 0.20 |
| | B6D4904220 | 4.48 | 4.30 | 20.00 | 19.48 | 1.25 ± 0.20 |
| | B6D4904325 | 4.48 | 4.30 | 25.00 | 23.48 | 1.50 ± 0.20 |
| M5 | B6D4905315 | 5.48 | 5.30 | 15.00 | 14.57 | 1.50 ± 0.20 |
| | B6D4905320 | 5.48 | 5.30 | 20.00 | 19.48 | 1.50 ± 0.20 |
| | B6D4905325 | 5.48 | 5.30 | 25.00 | 23.48 | 1.50 ± 0.20 |
| | B6D4905330 | 5.48 | 5.30 | 30.00 | 29.48 | 1.50 ± 0.20 |
| M6 | B6D4906320 | 6.62 | 6.40 | 20.00 | 19.48 | 1.50 ± 0.20 |
| | B6D4906325 | 6.62 | 6.40 | 25.00 | 23.48 | 1.50 ± 0.20 |
| | B6D4906330 | 6.62 | 6.40 | 30.00 | 29.48 | 1.50 ± 0.20 |
| | B6D4906335 | 6.62 | 6.40 | 35.00 | 34.38 | 1.50 ± 0.20 |
| | B6D4906340 | 6.62 | 6.40 | 40.00 | 39.38 | 1.50 ± 0.20 |
| | B6D4906345 | 6.62 | 6.40 | 45.00 | 44.38 | 1.50 ± 0.20 |
| | B6D4906350 | 6.62 | 6.40 | 50.00 | 49.38 | 1.50 ± 0.20 |
| | B6D4906355 | 6.62 | 6.40 | 55.00 | 54.26 | 1.50 ± 0.20 |
| M8 | B6D4908320 | 8.62 | 8.40 | 20.00 | 19.48 | 1.50 ± 0.20 |
| | B6D4908325 | 8.62 | 8.40 | 25.00 | 23.48 | 1.50 ± 0.20 |
| | B6D4908330 | 8.62 | 8.40 | 30.00 | 29.48 | 1.50 ± 0.20 |
| | B6D4908430 | 8.62 | 8.40 | 30.00 | 29.48 | 2.00 ± 0.20 |
| | B6D4908335 | 8.62 | 8.40 | 35.00 | 34.38 | 1.50 ± 0.20 |
| | B6D4908340 | 8.62 | 8.40 | 40.00 | 39.38 | 1.50 ± 0.20 |
| | B6D4908345 | 8.62 | 8.40 | 45.00 | 44.38 | 1.50 ± 0.20 |
| | B6D4908350 | 8.62 | 8.40 | 50.00 | 49.38 | 1.50 ± 0.20 |
| | B6D4908355 | 8.62 | 8.40 | 55.00 | 54.26 | 1.50 ± 0.20 |



Since : 1993

J.C. GUPTA & SONS

Fastener Super Speciality

GSTIN : 29AABFJ2719C1ZO
IEC : 00710030274

#7/A, Sree Venkateshwara Building, Sadar Patrappe Road, Bengaluru - 560002



41478141, 9880539870



www.jcfasteners.com



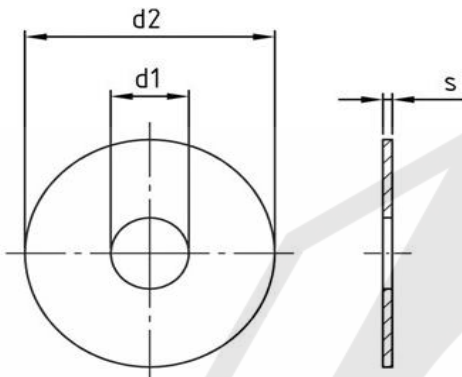
sales@jcfasteners.com

PENNY WASHER



Catalogue Datasheet **B6D49**

Stainless Steel A4/1.4401 (SS316)



Quote the item code given below with your order/ inquiries:

Dimensions in mm

| Bolt Size | Item Code | Inner Diameter d1 | | Outer Diameter d2 | | Thickness |
|-----------|------------|-------------------|-------|-------------------|-------|-------------|
| | | Max | Min | Max | Min | s |
| M10 | B6D4910325 | 10.77 | 10.50 | 25.00 | 23.48 | 1.50 ± 0.20 |
| | B6D4910330 | 10.77 | 10.50 | 30.00 | 29.48 | 1.50 ± 0.20 |
| | B6D4910335 | 10.77 | 10.50 | 35.00 | 34.38 | 1.50 ± 0.20 |
| | B6D4910340 | 10.77 | 10.50 | 40.00 | 39.38 | 1.50 ± 0.20 |
| | B6D4910345 | 10.77 | 10.50 | 45.00 | 44.38 | 1.50 ± 0.20 |
| | B6D4910350 | 10.77 | 10.50 | 50.00 | 49.38 | 1.50 ± 0.20 |
| | B6D4910355 | 10.77 | 10.50 | 55.00 | 54.26 | 1.50 ± 0.20 |
| M12 | B6D4912330 | 12.77 | 12.50 | 30.00 | 29.48 | 1.50 ± 0.20 |
| | B6D4912335 | 12.77 | 12.50 | 35.00 | 34.38 | 1.50 ± 0.20 |
| | B6D4912340 | 12.77 | 12.50 | 40.00 | 39.38 | 1.50 ± 0.20 |
| | B6D4912345 | 12.77 | 12.50 | 45.00 | 44.38 | 1.50 ± 0.20 |
| | B6D4912350 | 12.77 | 12.50 | 50.00 | 49.38 | 1.50 ± 0.20 |
| | B6D4912355 | 12.77 | 12.50 | 55.00 | 54.26 | 1.50 ± 0.20 |
| M16 | B6D4916350 | 16.77 | 16.50 | 50.00 | 49.38 | 1.50 ± 0.20 |

Sizes in BLUE are non-preferred. Availability is limited and MOQ is higher.

Data is strictly informative

Note: All Austenitic Stainless Steel Fasteners may exhibit some magnetic properties due to the manufacturing process.

Refer: ISO 3506-2 Annex F