



# J.C. GUPTA & SONS

GSTIN : 29AABFJ2719C1ZO  
IEC : 00710030274

Fastener Super Speciality

#7/A, Sree Venkateshwara Building, Sadar Patrappe Road, Bengaluru - 560002

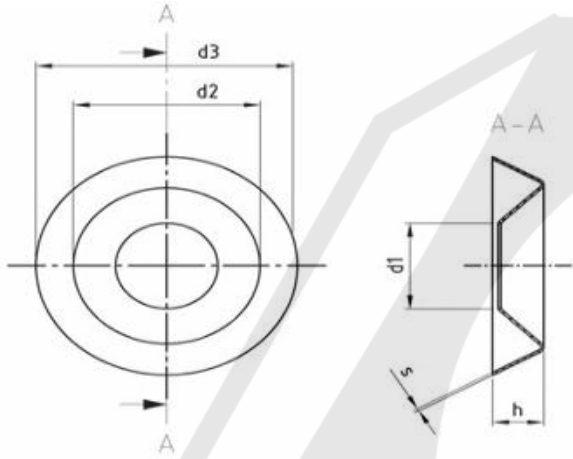
41478141, 9880539870 www.jcfasteners.com sales@jcfasteners.com



## NFE 27-619 Stamped Cup Washer

## Catalogue Datasheet **B6D51**

**Stainless Steel A4/1.4401 (SS316)**



Quote the item code given below with your order/ inquiries:

Dimensions in mm

Nominal Size	Item Code	Inside Diameter	Outside Diameter	Base Diameter	Height	Thickness
Bolt Size		d1	d2	d3	h	s
M3	B6D5103000	3.50	6.50	9.00	2.00	0.25
M4	B6D5104000	4.50	8.00	11.00	2.50	0.25
M5	B6D5105000	5.50	10.00	14.00	3.00	0.25
M6	B6D5106000	7.00	12.00	16.00	3.50	0.30
M8	B6D5108000	9.00	16.00	22.00	4.50	0.30
M10	B6D5110000	11.00	20.00	28.00	5.50	0.30
M12	B6D5112000	14.00	24.00	32.00	6.50	0.30

Sizes in BLUE are non-preferred. Availability is limited and MOQ is higher.

Data is strictly informative

**Note:** All Austenitic Stainless Steel Fasteners may exhibit some magnetic properties due to the manufacturing process.

Refer: ISO 3506-2 Annex F