



Since : 1993

J.C. GUPTA & SONS

Fastener Super Speciality

#7/A, Sree Venkateshwara Building, Sadar Patrapa Road, Bengaluru - 560002

41478141, 9880539870 www.jcfasteners.com sales@jcfasteners.com

GSTIN : 29AABFJ2719C1ZO
IEC : 00710030274

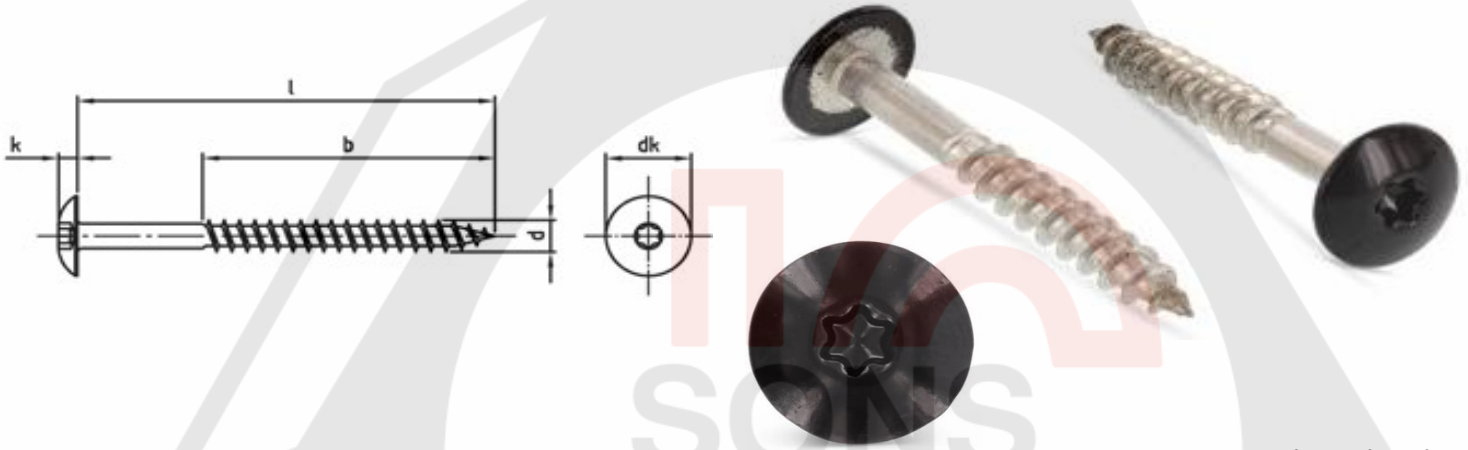
FACADE SCREW

Colour: JET BLACK [RAL-9005]



Catalogue Datasheet **U4B77**

ISI 304 A2



Dimensions in mm

Dia	Item Code	Length	Thread Length	Head Diameter	Head Thickness	Drive Size
d		l	b	dk	k	
4.8	U4B7748025-9005	25	17	12.3	2.7	T20
4.8	U4B7748032-9005	32	22	12.3	2.7	T20
4.8	U4B7748038-9005	38	25	12.3	2.7	T20
4.8	U4B7748050-9005	50	38	12.3	2.7	T20
4.8	U4B7748060-9005	60	48	12.3	2.7	T20
5.5	U4B7755025-9005	25	17	12.3	2.7	T20
5.5	U4B7755032-9005	32	22	12.3	2.7	T20
5.5	U4B7755035-9005	35	23	12.3	2.7	T20
5.5	U4B7755038-9005	38	25	12.3	2.7	T20
5.5	U4B7755045-9005	45	33	12.3	2.7	T20
5.5	U4B7755055-9005	55	43	12.3	2.7	T20

Sizes in blue are non-preferred. MOQ will be higher.

Data is strictly informative.

Note: All Austenitic Stainless Steel Fasteners may exhibit some magnetic properties due to the manufacturing process.

Refer: ISO 3506-2 Annex F



J.C. GUPTA & SONS

Fastener Super Speciality

GSTIN : 29AABFJ2719C1ZO
IEC : 00710030274

#7/A, Sree Venkateshwara Building, Sadar Patrapa Road, Bengaluru - 560002

41478141, 9880539870 www.jcfasteners.com sales@jcfasteners.com

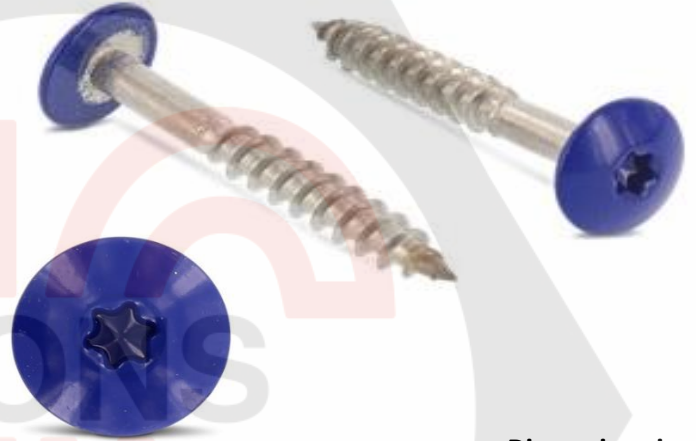
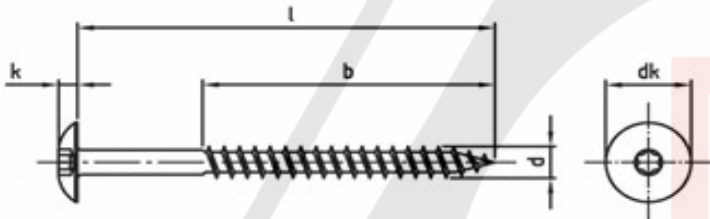


FACADE SCREW

Colour: ULTRAMARINE BLUE [RAL-5002]

Catalogue Datasheet **U4B77**

AISS 304 A2



Dimensions in mm

Dia	Item Code	Length	Thread Length	Head Diameter	Head Thickness	Drive Size
d		l	b	dk	k	
4.8	U4B7748025-5002	25	17	12.3	2.7	T20
4.8	U4B7748032-5002	32	22	12.3	2.7	T20
4.8	U4B7748038-5002	38	25	12.3	2.7	T20
4.8	U4B7748050-5002	50	38	12.3	2.7	T20
4.8	U4B7748060-5002	60	48	12.3	2.7	T20
5.5	U4B7755025-5002	25	17	12.3	2.7	T20
5.5	U4B7755032-5002	32	22	12.3	2.7	T20
5.5	U4B7755035-5002	35	23	12.3	2.7	T20
5.5	U4B7755038-5002	38	25	12.3	2.7	T20
5.5	U4B7755045-5002	45	33	12.3	2.7	T20
5.5	U4B7755055-5002	55	43	12.3	2.7	T20

Sizes in blue are non-preferred. MOQ will be higher.

Data is strictly informative.

Note: All Austenitic Stainless Steel Fasteners may exhibit some magnetic properties due to the manufacturing process.

Refer: ISO 3506-2 Annex F



J.C. GUPTA & SONS

Fastener Super Speciality

GSTIN : 29AABFJ2719C1ZO
IEC : 00710030274

Since : 1993

#7/A, Sree Venkateshwara Building, Sadar Patrapa Road, Bengaluru - 560002

41478141, 9880539870 www.jcfasteners.com sales@jcfasteners.com

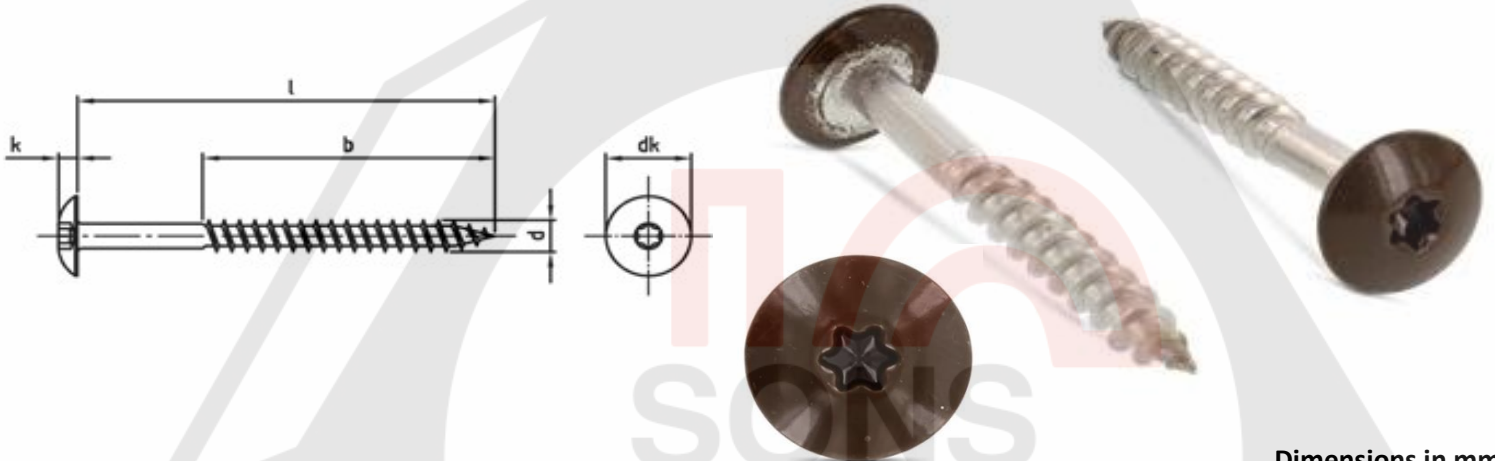
FACADE SCREW

Colour: SEPIA BROWN [RAL-8014]



Catalogue Datasheet **U4B77**

AIISI 304 A2



Dimensions in mm

Dia	Item Code	Length	Thread Length	Head Diameter	Head Thickness	Drive Size
d		l	b	dk	k	
4.8	U4B7748025-8014	25	17	12.3	2.7	T20
4.8	U4B7748032-8014	32	22	12.3	2.7	T20
4.8	U4B7748038-8014	38	25	12.3	2.7	T20
4.8	U4B7748050-8014	50	38	12.3	2.7	T20
4.8	U4B7748060-8014	60	48	12.3	2.7	T20
5.5	U4B7755025-8014	25	17	12.3	2.7	T20
5.5	U4B7755032-8014	32	22	12.3	2.7	T20
5.5	U4B7755035-8014	35	23	12.3	2.7	T20
5.5	U4B7755038-8014	38	25	12.3	2.7	T20
5.5	U4B7755045-8014	45	33	12.3	2.7	T20
5.5	U4B7755055-8014	55	43	12.3	2.7	T20

Sizes in blue are non-preferred. MOQ will be higher.

Data is strictly informative.

Note: All Austenitic Stainless Steel Fasteners may exhibit some magnetic properties due to the manufacturing process.

Refer: ISO 3506-2 Annex F



J.C. GUPTA & SONS

Fastener Super Speciality

GSTIN : 29AABFJ2719C1ZO
IEC : 00710030274

#7/A, Sree Venkateshwara Building, Sadar Patrappe Road, Bengaluru - 560002

41478141, 9880539870 www.jcfasteners.com sales@jcfasteners.com

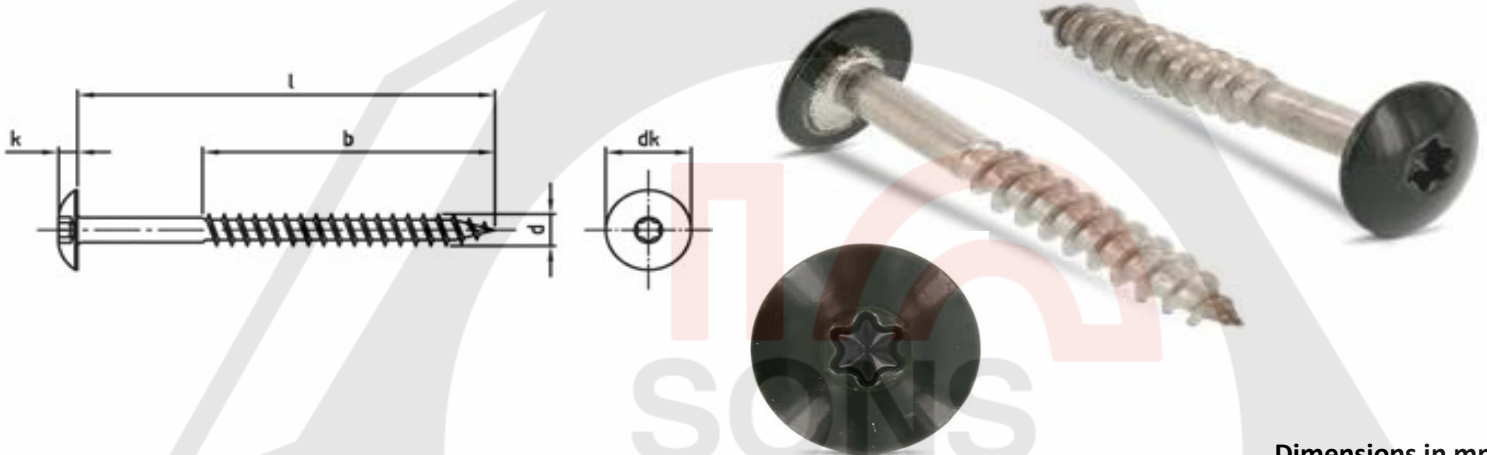
FACADE SCREW

Colour: FIR GREEN [RAL-6009]



Catalogue Datasheet **U4B77**

ISI 304 A2



Dimensions in mm

Dia	Item Code	Length	Thread Length	Head Diameter	Head Thickness	Drive Size
d		l	b	dk	k	
4.8	U4B7748025-6009	25	17	12.3	2.7	T20
4.8	U4B7748032-6009	32	22	12.3	2.7	T20
4.8	U4B7748038-6009	38	25	12.3	2.7	T20
4.8	U4B7748050-6009	50	38	12.3	2.7	T20
4.8	U4B7748060-6009	60	48	12.3	2.7	T20
5.5	U4B7755025-6009	25	17	12.3	2.7	T20
5.5	U4B7755032-6009	32	22	12.3	2.7	T20
5.5	U4B7755035-6009	35	23	12.3	2.7	T20
5.5	U4B7755038-6009	38	25	12.3	2.7	T20
5.5	U4B7755045-6009	45	33	12.3	2.7	T20
5.5	U4B7755055-6009	55	43	12.3	2.7	T20

Sizes in blue are non-preferred. MOQ will be higher.

Data is strictly informative.

Note: All Austenitic Stainless Steel Fasteners may exhibit some magnetic properties due to the manufacturing process.

Refer: ISO 3506-2 Annex F



J.C. GUPTA & SONS

Fastener Super Speciality

GSTIN : 29AABFJ2719C1ZO
IEC : 00710030274

Since : 1993

#7/A, Sree Venkateshwara Building, Sadar Patrapa Road, Bengaluru - 560002



41478141, 9880539870



www.jcfasteners.com



sales@jcfasteners.com

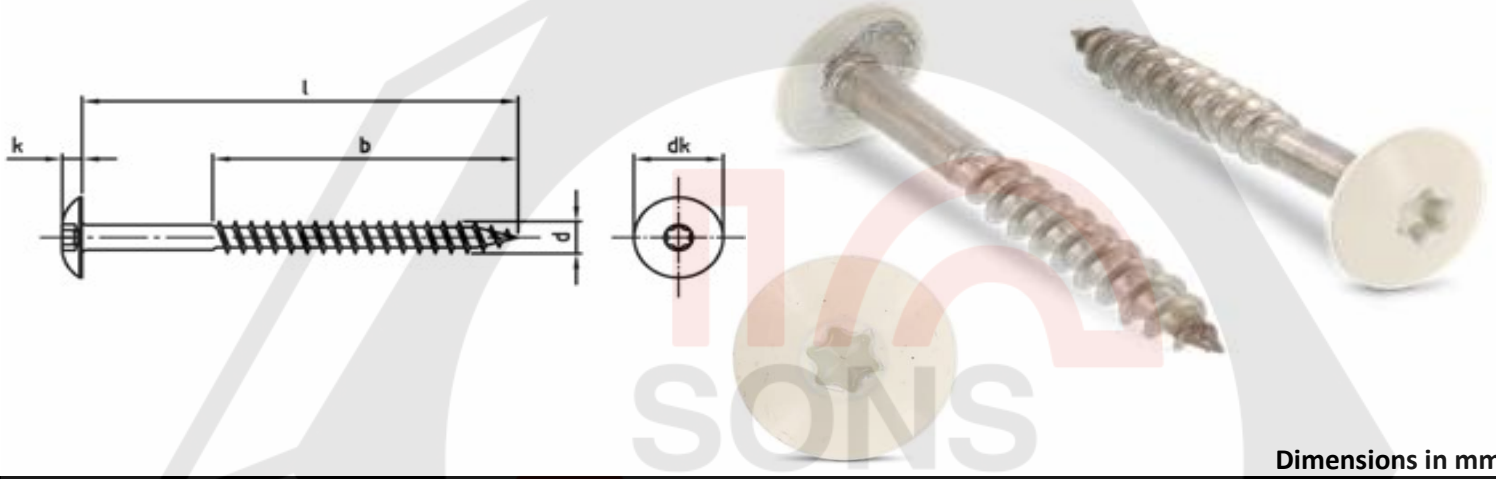


Catalogue Datasheet **U4B77**

FACADE SCREW

Colour: OYSTER WHITE [RAL-1013]

AIISI 304 A2



Dimensions in mm

Dia	Item Code	Length	Thread Length	Head Diameter	Head Thickness	Drive Size
d		l	b	dk	k	
4.8	U4B7748025-1013	25	17	12.3	2.7	T20
4.8	U4B7748032-1013	32	22	12.3	2.7	T20
4.8	U4B7748038-1013	38	25	12.3	2.7	T20
4.8	U4B7748050-1013	50	38	12.3	2.7	T20
4.8	U4B7748060-1013	60	48	12.3	2.7	T20
5.5	U4B7755025-1013	25	17	12.3	2.7	T20
5.5	U4B7755032-1013	32	22	12.3	2.7	T20
5.5	U4B7755035-1013	35	23	12.3	2.7	T20
5.5	U4B7755038-1013	38	25	12.3	2.7	T20
5.5	U4B7755045-1013	45	33	12.3	2.7	T20
5.5	U4B7755055-1013	55	43	12.3	2.7	T20

Sizes in blue are non-preferred. MOQ will be higher.

Data is strictly informative.

Note: All Austenitic Stainless Steel Fasteners may exhibit some magnetic properties due to the manufacturing process.

Refer: ISO 3506-2 Annex F



J.C. GUPTA & SONS

Fastener Super Speciality

GSTIN : 29AABFJ2719C1ZO
IEC : 00710030274

Since : 1993

#7/A, Sree Venkateshwara Building, Sadar Patrapa Road, Bengaluru - 560002

41478141, 9880539870 www.jcfasteners.com sales@jcfasteners.com

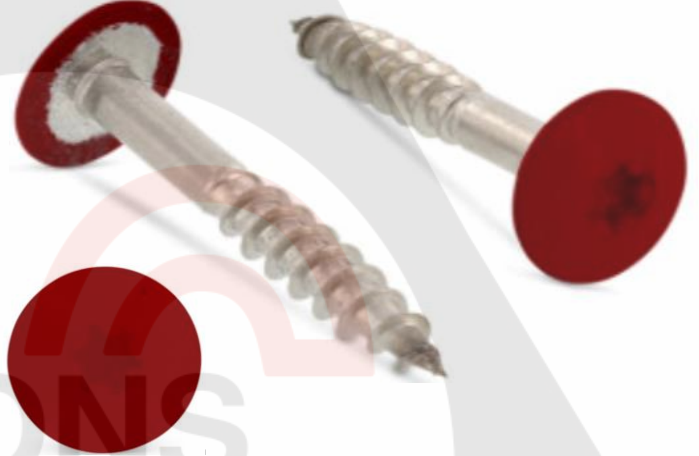
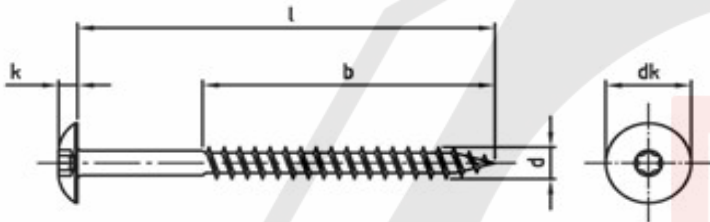
FACADE SCREW

Colour: OXIDRED [RAL-3009]



Catalogue Datasheet **U4B77**

ISI 304 A2



Dimensions in mm

Dia	Item Code	Length	Thread Length	Head Diameter	Head Thickness	Drive Size
d		l	b	dk	k	
5.5	U4B7755025-3009	25	17	12.3	2.7	T20
5.5	U4B7755032-3009	32	22	12.3	2.7	T20
5.5	U4B7755035-3009	35	23	12.3	2.7	T20
5.5	U4B7755038-3009	38	25	12.3	2.7	T20
5.5	U4B7755045-3009	45	33	12.3	2.7	T20
5.5	U4B7755055-3009	55	43	12.3	2.7	T20

Sizes in blue are non-preferred. MOQ will be higher.

Data is strictly informative.

Note: All Austenitic Stainless Steel Fasteners may exhibit some magnetic properties due to the manufacturing process.

Refer: ISO 3506-2 Annex F



J.C. GUPTA & SONS

Fastener Super Speciality

GSTIN : 29AABFJ2719C1ZO
IEC : 00710030274

#7/A, Sree Venkateshwara Building, Sadar Patrappe Road, Bengaluru - 560002

41478141, 9880539870 www.jcfasteners.com sales@jcfasteners.com

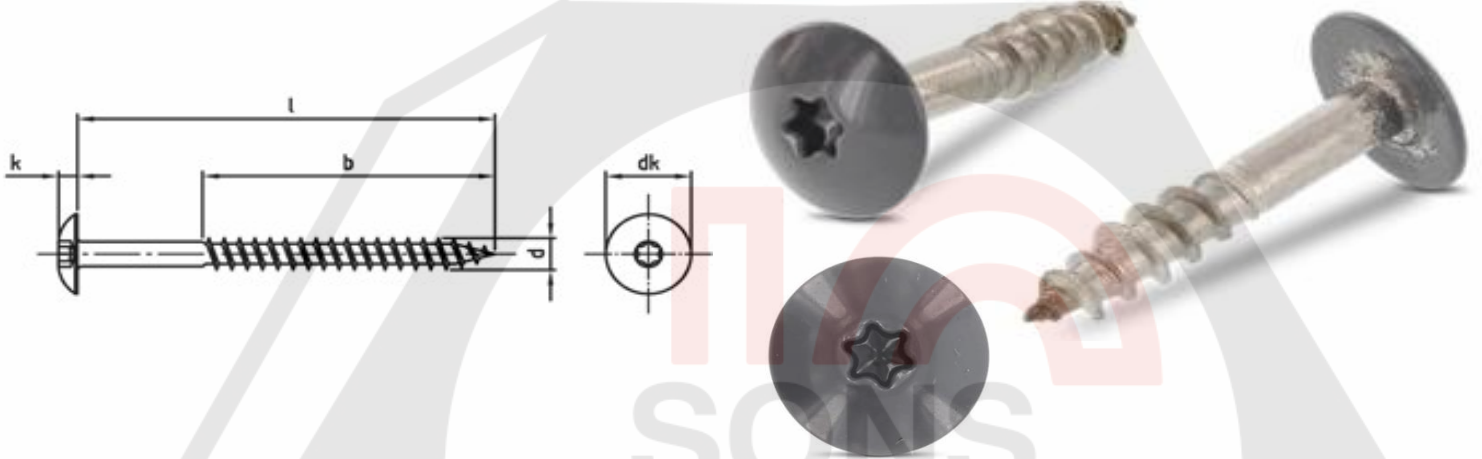
FACADE SCREW

Colour: BASALT GREY [RAL-7012]



Catalogue Datasheet **U4B77**

ISI 304 A2



Dimensions in mm

Dia	Item Code	Length	Thread Length	Head Diameter	Head Thickness	Drive Size
d		l	b	dk	k	
4.8	U4B7748025-7012	25	17	12.3	2.7	T20
4.8	U4B7748032-7012	32	22	12.3	2.7	T20
4.8	U4B7748038-7012	38	25	12.3	2.7	T20
4.8	U4B7748050-7012	50	38	12.3	2.7	T20
4.8	U4B7748060-7012	60	48	12.3	2.7	T20
5.5	U4B7755025-7012	25	17	12.3	2.7	T20
5.5	U4B7755032-7012	32	22	12.3	2.7	T20
5.5	U4B7755035-7012	35	23	12.3	2.7	T20
5.5	U4B7755038-7012	38	25	12.3	2.7	T20
5.5	U4B7755045-7012	45	33	12.3	2.7	T20
5.5	U4B7755055-7012	55	43	12.3	2.7	T20

Sizes in blue are non-preferred. MOQ will be higher.

Data is strictly informative.

Note: All Austenitic Stainless Steel Fasteners may exhibit some magnetic properties due to the manufacturing process.

Refer: ISO 3506-2 Annex F



J.C. GUPTA & SONS

Fastener Super Speciality

GSTIN : 29AABFJ2719C1ZO
IEC : 00710030274

#7/A, Sree Venkateshwara Building, Sadar Patrappe Road, Bengaluru - 560002

41478141, 9880539870 www.jcfasteners.com sales@jcfasteners.com

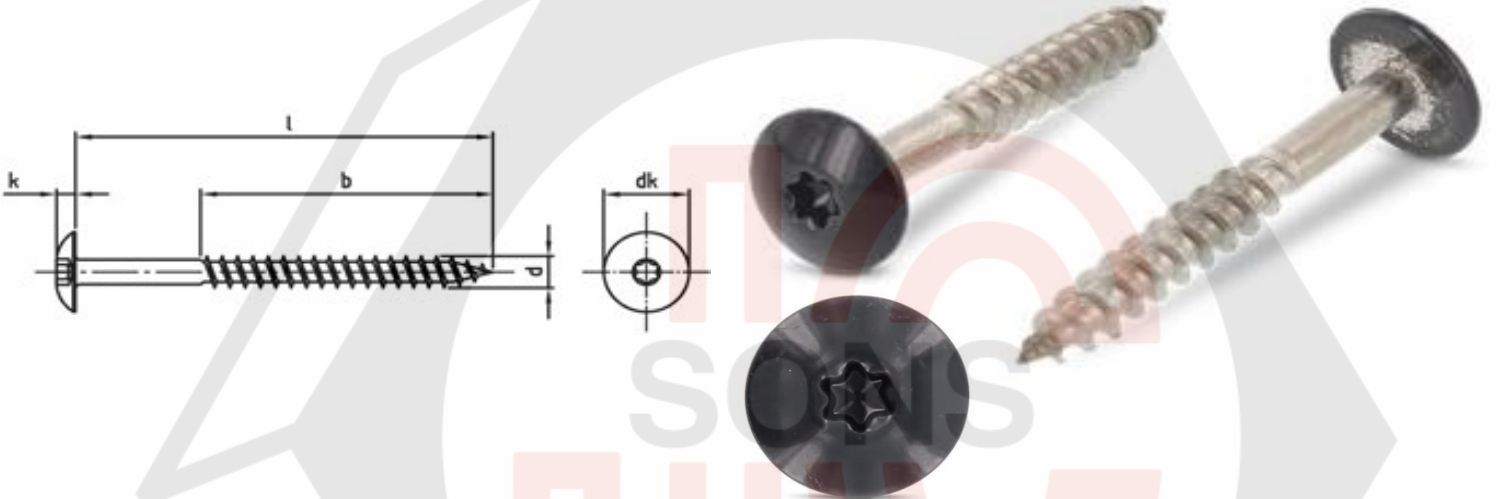


FACADE SCREW

Colour: ANTHRACITE GREY [RAL-7016]

Catalogue Datasheet **U4B77**

AISS 304 A2



Dimensions in mm

Dia	Item Code	Length	Thread Length	Head Diameter	Head Thickness	Drive Size
d		l	b	dk	k	
4.8	U4B7748025-7016	25	17	12.3	2.7	T20
4.8	U4B7748032-7016	32	22	12.3	2.7	T20
4.8	U4B7748038-7016	38	25	12.3	2.7	T20
4.8	U4B7748050-7016	50	38	12.3	2.7	T20
4.8	U4B7748060-7016	60	48	12.3	2.7	T20
5.5	U4B7755025-7016	25	17	12.3	2.7	T20
5.5	U4B7755032-7016	32	22	12.3	2.7	T20
5.5	U4B7755035-7016	35	23	12.3	2.7	T20
5.5	U4B7755038-7016	38	25	12.3	2.7	T20
5.5	U4B7755045-7016	45	33	12.3	2.7	T20
5.5	U4B7755055-7016	55	43	12.3	2.7	T20

Sizes in blue are non-preferred. MOQ will be higher.

Data is strictly informative.

Note: All Austenitic Stainless Steel Fasteners may exhibit some magnetic properties due to the manufacturing process.

Refer: ISO 3506-2 Annex F



J.C. GUPTA & SONS

GSTIN : 29AABFJ2719C1ZO
IEC : 00710030274

Fastener Super Speciality

#7/A, Sree Venkateshwara Building, Sadar Patrappe Road, Bengaluru - 560002

41478141, 9880539870 www.jcfasteners.com sales@jcfasteners.com

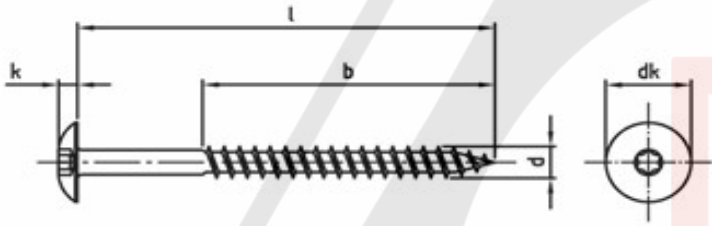


FACADE SCREW

Colour: DUSTY GREY [RAL-7037]

Catalogue Datasheet **U4B77**

AISS 304 A2



Dimensions in mm

Dia	Item Code	Length	Thread Length	Head Diameter	Head Thickness	Drive Size
d		l	b	dk	k	
4.8	U4B7748025-7037	25	17	12.3	2.7	T20
4.8	U4B7748032-7037	32	22	12.3	2.7	T20
4.8	U4B7748038-7037	38	25	12.3	2.7	T20
4.8	U4B7748050-7037	50	38	12.3	2.7	T20
4.8	U4B7748060-7037	60	48	12.3	2.7	T20
5.5	U4B7755025-7037	25	17	12.3	2.7	T20
5.5	U4B7755032-7037	32	22	12.3	2.7	T20
5.5	U4B7755035-7037	35	23	12.3	2.7	T20
5.5	U4B7755038-7037	38	25	12.3	2.7	T20
5.5	U4B7755045-7037	45	33	12.3	2.7	T20
5.5	U4B7755055-7037	55	43	12.3	2.7	T20

Sizes in blue are non-preferred. MOQ will be higher.

Data is strictly informative.

Note: All Austenitic Stainless Steel Fasteners may exhibit some magnetic properties due to the manufacturing process.

Refer: ISO 3506-2 Annex F



J.C. GUPTA & SONS

Fastener Super Speciality

GSTIN : 29AABFJ2719C1ZO
IEC : 00710030274

Since : 1993

#7/A, Sree Venkateshwara Building, Sadar Patrapa Road, Bengaluru - 560002

41478141, 9880539870 www.jcfasteners.com sales@jcfasteners.com

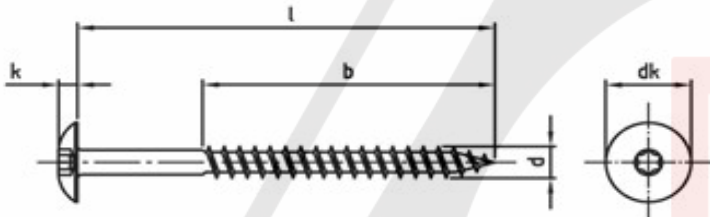


Catalogue Datasheet **U4B77**

AISS 304 A2

FACADE SCREW

Colour: AGATE GREY [RAL-7038]



Dimensions in mm

Dia	Item Code	Length	Thread Length	Head Diameter	Head Thickness	Drive Size
d		l	b	dk	k	
4.8	U4B7748025-7038	25	17	12.3	2.7	T20
4.8	U4B7748032-7038	32	22	12.3	2.7	T20
4.8	U4B7748038-7038	38	25	12.3	2.7	T20
4.8	U4B7748050-7038	50	38	12.3	2.7	T20
4.8	U4B7748060-7038	60	48	12.3	2.7	T20
5.5	U4B7755025-7038	25	17	12.3	2.7	T20
5.5	U4B7755032-7038	32	22	12.3	2.7	T20
5.5	U4B7755035-7038	35	23	12.3	2.7	T20
5.5	U4B7755038-7038	38	25	12.3	2.7	T20
5.5	U4B7755045-7038	45	33	12.3	2.7	T20
5.5	U4B7755055-7038	55	43	12.3	2.7	T20

Sizes in blue are non-preferred. MOQ will be higher.

Data is strictly informative.

Note: All Austenitic Stainless Steel Fasteners may exhibit some magnetic properties due to the manufacturing process.

Refer: ISO 3506-2 Annex F



J.C. GUPTA & SONS

GSTIN : 29AABFJ2719C1ZO
IEC : 00710030274

Fastener Super Speciality

#7/A, Sree Venkateshwara Building, Sadar Patrappe Road, Bengaluru - 560002

41478141, 9880539870 www.jcfasteners.com sales@jcfasteners.com

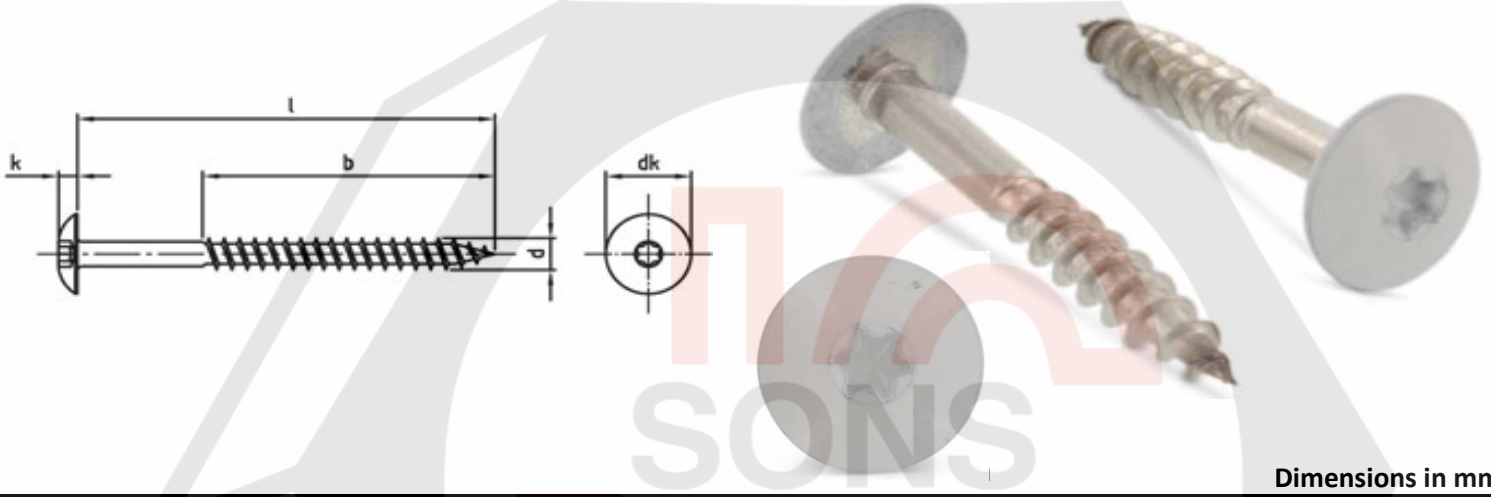
FACADE SCREW

Colour: TELEGREY [RAL-7047]



Catalogue Datasheet **U4B77**

AIISI 304 A2



Dimensions in mm

Dia	Item Code	Length	Thread Length	Head Diameter	Head Thickness	Drive Size
d		l	b	dk	k	
5.5	U4B7755025-7047	25	17	12.3	2.7	T20
5.5	U4B7755032-7047	32	22	12.3	2.7	T20
5.5	U4B7755035-7047	35	23	12.3	2.7	T20
5.5	U4B7755038-7047	38	25	12.3	2.7	T20
5.5	U4B7755045-7047	45	33	12.3	2.7	T20
5.5	U4B7755055-7047	55	43	12.3	2.7	T20

Sizes in blue are non-preferred. MOQ will be higher.

Data is strictly informative.

Note: All Austenitic Stainless Steel Fasteners may exhibit some magnetic properties due to the manufacturing process.

Refer: ISO 3506-2 Annex F



J.C. GUPTA & SONS

Fastener Super Speciality

GSTIN : 29AABFJ2719C1ZO
IEC : 00710030274

Since : 1993

#7/A, Sree Venkateshwara Building, Sadar Patrapa Road, Bengaluru - 560002

41478141, 9880539870 www.jcfasteners.com sales@jcfasteners.com

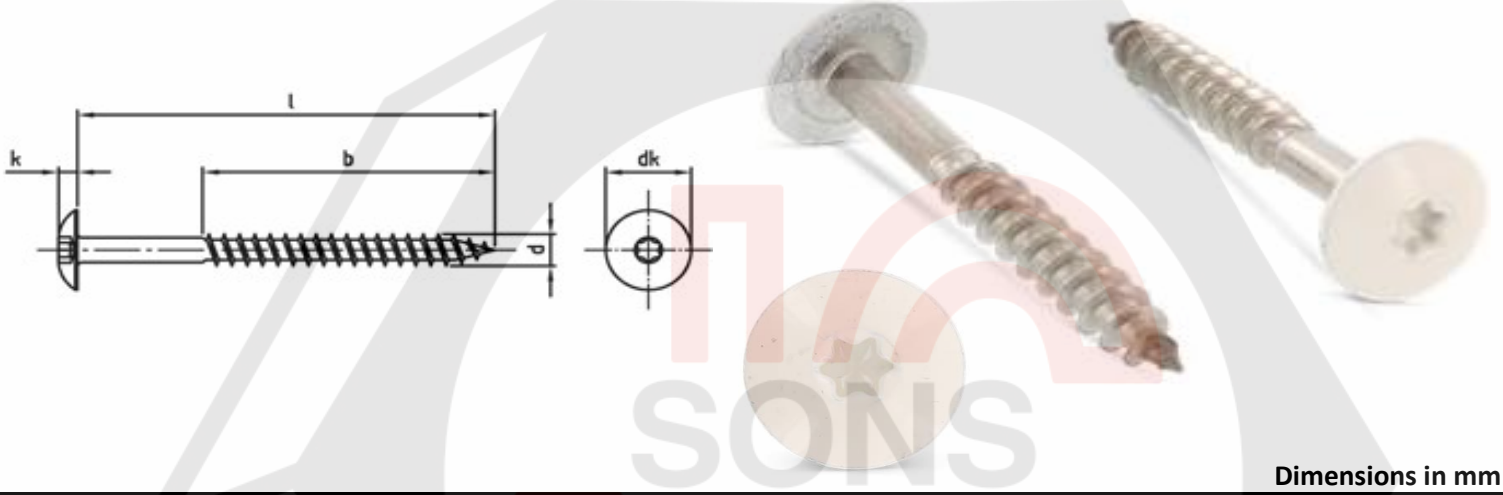
FACADE SCREW

Colour: CREAM WHITE [RAL-9001]



Catalogue Datasheet **U4B77**

AIISI 304 A2



Dimensions in mm

Dia	Item Code	Length	Thread Length	Head Diameter	Head Thickness	Drive Size
d		l	b	dk	k	
4.8	U4B7748025-9001	25	17	12.3	2.7	T20
4.8	U4B7748032-9001	32	22	12.3	2.7	T20
4.8	U4B7748038-9001	38	25	12.3	2.7	T20
4.8	U4B7748050-9001	50	38	12.3	2.7	T20
4.8	U4B7748060-9001	60	48	12.3	2.7	T20
5.5	U4B7755025-9001	25	17	12.3	2.7	T20
5.5	U4B7755032-9001	32	22	12.3	2.7	T20
5.5	U4B7755035-9001	35	23	12.3	2.7	T20
5.5	U4B7755038-9001	38	25	12.3	2.7	T20
5.5	U4B7755045-9001	45	33	12.3	2.7	T20
5.5	U4B7755055-9001	55	43	12.3	2.7	T20

Sizes in blue are non-preferred. MOQ will be higher.

Data is strictly informative.

Note: All Austenitic Stainless Steel Fasteners may exhibit some magnetic properties due to the manufacturing process.

Refer: ISO 3506-2 Annex F



J.C. GUPTA & SONS

GSTIN : 29AABFJ2719C1ZO
IEC : 00710030274

Fastener Super Speciality

#7/A, Sree Venkateshwara Building, Sadar Patrappa Road, Bengaluru - 560002

41478141, 9880539870 www.jcfasteners.com sales@jcfasteners.com

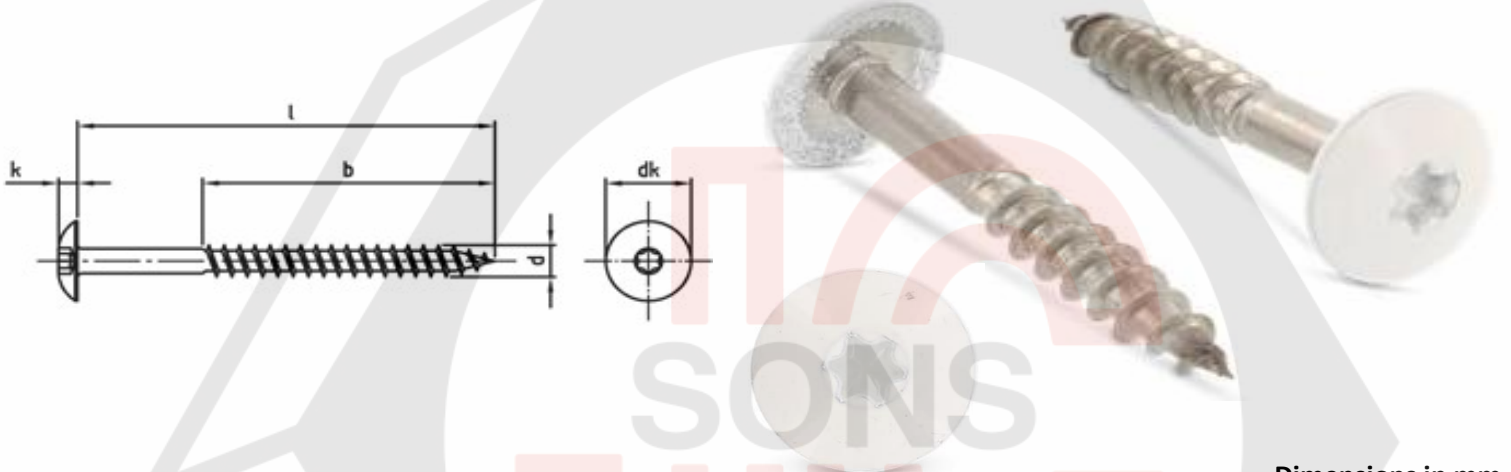
FACADE SCREW

Colour: PURE WHITE [RAL-9010]



Catalogue Datasheet **U4B77**

AISS 304 A2



Dimensions in mm

Dia	Item Code	Length	Thread Length	Head Diameter	Head Thickness	Drive Size
d		l	b	dk	k	
4.8	U4B7748025-9010	25	17	12.3	2.7	T20
4.8	U4B7748032-9010	32	22	12.3	2.7	T20
4.8	U4B7748038-9010	38	25	12.3	2.7	T20
4.8	U4B7748050-9010	50	38	12.3	2.7	T20
4.8	U4B7748060-9010	60	48	12.3	2.7	T20
5.5	U4B7755025-9010	25	17	12.3	2.7	T20
5.5	U4B7755032-9010	32	22	12.3	2.7	T20
5.5	U4B7755035-9010	35	23	12.3	2.7	T20
5.5	U4B7755038-9010	38	25	12.3	2.7	T20
5.5	U4B7755045-9010	45	33	12.3	2.7	T20
5.5	U4B7755055-9010	55	43	12.3	2.7	T20

Sizes in blue are non-preferred. MOQ will be higher.

Data is strictly informative.

Note: All Austenitic Stainless Steel Fasteners may exhibit some magnetic properties due to the manufacturing process.

Refer: ISO 3506-2 Annex F