

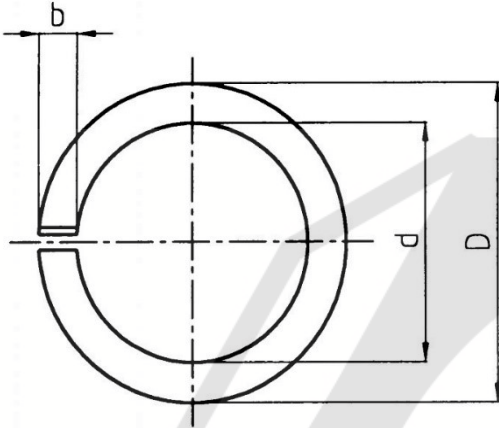


DIN 7980 SPRING WASHER Square Section



Catalogue Datasheet U6D05

AISI 316 BLACK



Quote the item code given below with your order/ inquiries:

Dimensions in MM

Nominal Size	Item Code	Inside Diameter d		Outside Diameter	Height h		Section width b		Section thickness s	
		Min	Max		D MAX	min.	max	min	max	min
M3x0.5	U6D0503000	3.10	3.40	5.60	2.00	2.36	0.90	1.10	0.90	1.10
M3.5x0.6	U6D0530500	3.60	3.90	6.10	2.00	2.36	0.90	1.10	0.90	1.10
M4x0.7	U6D0504000	4.10	4.40	7.00	2.40	2.83	1.10	1.30	1.10	1.30
M5x0.8	U6D0505000	5.10	5.40	8.80	3.20	3.78	1.50	1.70	1.50	1.70
M6x1.0	U6D0506000	6.10	6.50	9.90	3.20	3.78	1.50	1.70	1.50	1.70
M8x1.25	U6D0508000	8.10	8.50	12.70	4.00	4.72	1.90	2.10	1.90	2.10
M10x1.5	U6D0510000	10.20	10.70	16.00	5.00	5.90	2.35	2.65	2.35	2.65
M12x1.75	U6D0512000	12.20	12.70	18.00	5.00	5.90	2.35	2.65	2.35	2.65
M14x2.0	U6D0514000	14.20	14.70	21.10	6.00	7.10	2.80	3.20	2.80	3.20
M16x2.0	U6D0516000	16.20	17.00	24.40	7.00	8.25	3.30	3.70	3.30	3.70
M18x2.5	U6D0518000	18.20	19.00	26.40	7.00	8.25	3.30	3.70	3.30	3.70
M20x2.5	U6D0520000	20.20	21.20	30.60	9.00	10.60	4.30	4.70	4.30	4.70
M22x2.5	U6D0522000	22.50	23.50	32.90	9.00	10.60	4.30	4.70	4.30	4.70
M24x3.0	U6D0524000	24.50	25.50	35.90	10.00	11.80	4.80	5.20	4.80	5.20
M27x3.0	U6D0527000	27.50	28.50	38.90	10.00	11.80	4.80	5.20	4.80	5.20
M30x3.5	U6D0530000	30.50	31.70	44.10	12.00	14.20	5.80	6.20	5.80	6.20

Sizes in Blue are non preferred. Availability may be limited and MOQ higher

Data is strictly informative

Note: All Austenitic Stainless Steel Fasteners may exhibit some magnetic properties due to the manufacturing process. Refer: ISO 3506-2 Annex F