

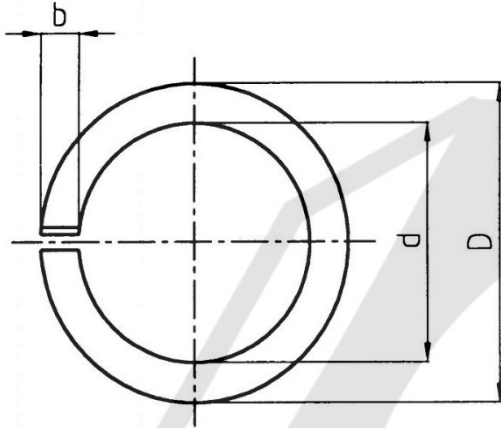


DIN 7980 SPRING WASHER Square Section



Catalogue Datasheet G1D05

SPRING-STEEL



Quote the item code given below with your order/ inquiries:

Dimensions in MM

Nominal Size	Item Code	Inside Diameter d		Outside Diameter	Height h		Section width b		Section thickness s	
		Min	Max		D MAX	min.	max	min	max	min
M3x0.5	G1D0503000	3.10	3.40	5.60	2.00	2.36	0.90	1.10	0.90	1.10
M3.5x0.6	G1D0530500	3.60	3.90	6.10	2.00	2.36	0.90	1.10	0.90	1.10
M4x0.7	G1D0504000	4.10	4.40	7.00	2.40	2.83	1.10	1.30	1.10	1.30
M5x0.8	G1D0505000	5.10	5.40	8.80	3.20	3.78	1.50	1.70	1.50	1.70
M6x1.0	G1D0506000	6.10	6.50	9.90	3.20	3.78	1.50	1.70	1.50	1.70
M8x1.25	G1D0508000	8.10	8.50	12.70	4.00	4.72	1.90	2.10	1.90	2.10
M10x1.5	G1D0510000	10.20	10.70	16.00	5.00	5.90	2.35	2.65	2.35	2.65
M12x1.75	G1D0512000	12.20	12.70	18.00	5.00	5.90	2.35	2.65	2.35	2.65
M14x2.0	G1D0514000	14.20	14.70	21.10	6.00	7.10	2.80	3.20	2.80	3.20
M16x2.0	G1D0516000	16.20	17.00	24.40	7.00	8.25	3.30	3.70	3.30	3.70
M18x2.5	G1D0518000	18.20	19.00	26.40	7.00	8.25	3.30	3.70	3.30	3.70
M20x2.5	G1D0520000	20.20	21.20	30.60	9.00	10.60	4.30	4.70	4.30	4.70
M22x2.5	G1D0522000	22.50	23.50	32.90	9.00	10.60	4.30	4.70	4.30	4.70
M24x3.0	G1D0524000	24.50	25.50	35.90	10.00	11.80	4.80	5.20	4.80	5.20
M27x3.0	G1D0527000	27.50	28.50	38.90	10.00	11.80	4.80	5.20	4.80	5.20
M30x3.5	G1D0530000	30.50	31.70	44.10	12.00	14.20	5.80	6.20	5.80	6.20

Sizes in Blue are non preferred. Availability may be limited and MOQ higher

Data is strictly informative