



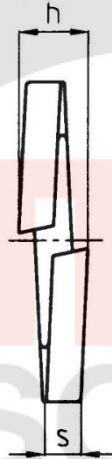
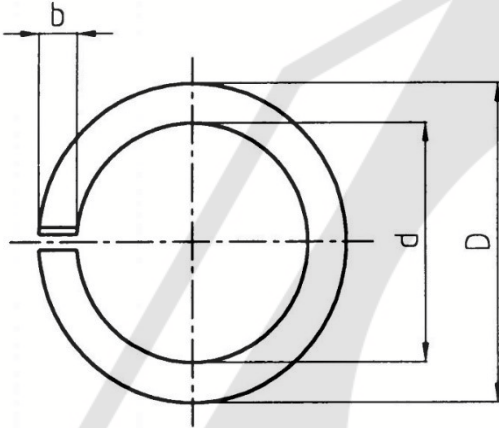
DIN 7980 SPRING WASHER

Square Section



Catalogue Datasheet **B9D05**

AISI 301



Quote the item code given below with your order/ inquiries:

Dimensions in MM

Nominal Size	Item Code	Inside Diameter d		Outside Diameter	Height h		Section width b		Section thickness s	
		Min	Max		D MAX	min.	max	min	max	min
M3x0.5	B9D0503000	3.10	3.40	5.60	2.00	2.36	0.90	1.10	0.90	1.10
M3.5x0.6	B9D0530500	3.60	3.90	6.10	2.00	2.36	0.90	1.10	0.90	1.10
M4x0.7	B9D0504000	4.10	4.40	7.00	2.40	2.83	1.10	1.30	1.10	1.30
M5x0.8	B9D0505000	5.10	5.40	8.80	3.20	3.78	1.50	1.70	1.50	1.70
M6x1.0	B9D0506000	6.10	6.50	9.90	3.20	3.78	1.50	1.70	1.50	1.70
M8x1.25	B9D0508000	8.10	8.50	12.70	4.00	4.72	1.90	2.10	1.90	2.10
M10x1.5	B9D0510000	10.20	10.70	16.00	5.00	5.90	2.35	2.65	2.35	2.65
M12x1.75	B9D0512000	12.20	12.70	18.00	5.00	5.90	2.35	2.65	2.35	2.65
M14x2.0	B9D0514000	14.20	14.70	21.10	6.00	7.10	2.80	3.20	2.80	3.20
M16x2.0	B9D0516000	16.20	17.00	24.40	7.00	8.25	3.30	3.70	3.30	3.70
M18x2.5	B9D0518000	18.20	19.00	26.40	7.00	8.25	3.30	3.70	3.30	3.70
M20x2.5	B9D0520000	20.20	21.20	30.60	9.00	10.60	4.30	4.70	4.30	4.70
M22x2.5	B9D0522000	22.50	23.50	32.90	9.00	10.60	4.30	4.70	4.30	4.70
M24x3.0	B9D0524000	24.50	25.50	35.90	10.00	11.80	4.80	5.20	4.80	5.20
M27x3.0	B9D0527000	27.50	28.50	38.90	10.00	11.80	4.80	5.20	4.80	5.20
M30x3.5	B9D0530000	30.50	31.70	44.10	12.00	14.20	5.80	6.20	5.80	6.20

Sizes in Blue are non preferred. Availability may be limited and MOQ higher

Data is strictly informative

Note: All Austenitic Stainless Steel Fasteners may exhibit some magnetic properties due to the manufacturing process. Refer: ISO 3506-2 Annex F