



Since : 1993

# J.C. GUPTA & SONS

Fastener Super Speciality

GSTIN : 29AABFJ2719C1ZO  
IEC : 00710030274

#7/A, Sree Venkateshwara Building, Sadar Patrappe Road, Bengaluru - 560002



41478141, 9880539870



www.jcfasteners.com



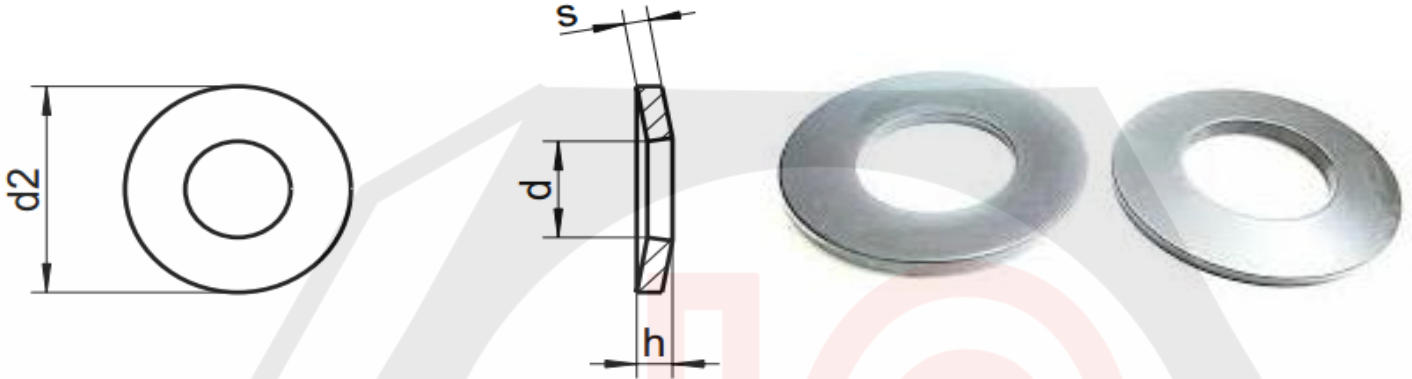
sales@jcfasteners.com

## DIN 6796 Conical Spring Washer



Catalogue Datasheet **B6D20**

**Stainless Steel A4/1.4401 (SS316)**



Quote the item code given below with your order/ inquiries:

Dimensions in mm

Nominal Size	Item Code	Inside Diameter		Outside Diameter		Height		Thickness
		d1 min	d1 max	d2 min	d2 max	h min	h max	
<b>Bolt Size</b>	<b>Part Number</b>	<b>d1 min</b>	<b>d1 max</b>	<b>d2 min</b>	<b>d2 max</b>	<b>h min</b>	<b>h max</b>	<b>s</b>
M2	B6D2002000	2.20	2.45	4.70	5.00	0.50	0.60	0.60
M2.5	B6D2020500	2.70	2.95	5.70	6.00	0.61	0.72	0.60
M3	B6D2003000	3.20	3.45	6.64	7.00	0.72	0.85	0.60
M4	B6D2004000	4.30	4.60	8.64	9.00	1.12	1.30	1.00
M5	B6D2005000	5.30	5.60	10.57	11.00	1.35	1.55	1.20
M6	B6D2006000	6.40	6.76	13.57	14.00	1.70	2.00	1.50
M8	B6D2008000	8.40	8.76	17.57	18.00	2.24	2.60	2.00
M10	B6D2010000	10.50	10.93	22.48	23.00	2.80	3.20	2.50
M12	B6D2012000	13.00	13.43	28.48	29.00	3.43	3.95	3.00
M14	B6D2014000	15.00	15.43	34.38	35.00	4.04	4.65	3.50
M16	B6D2016000	17.00	17.43	38.38	39.00	4.58	5.25	4.00
M18	B6D2018000	19.00	19.52	41.38	42.00	5.08	5.80	4.50
M20	B6D2020000	21.00	21.52	44.38	45.00	5.60	6.40	5.00
M22	B6D2022000	23.00	23.52	48.38	49.00	6.15	7.05	5.50
M24	B6D2024000	25.00	25.52	55.26	56.00	6.77	7.75	6.00
M27	B6D2027000	28.00	28.52	59.26	60.00	7.30	8.35	6.50
M30	B6D2030000	31.00	31.62	69.26	70.00	8.00	9.20	7.00

Sizes in Blue are non preferred. Availability may be limited and MOQ higher

Data is strictly informative

**Note:** All Austenitic Stainless Steel Fasteners may exhibit some magnetic properties due to the manufacturing process.

**Refer:** ISO 3506-2 Annex F