



Since : 1993

J.C. GUPTA & SONS

Fastener Super Speciality

GSTIN : 29AABFJ2719C1ZO
IEC : 00710030274

#7/A, Sree Venkateshwara Building, Sadar Patrappe Road, Bengaluru - 560002



41478141, 9880539870



www.jcfasteners.com



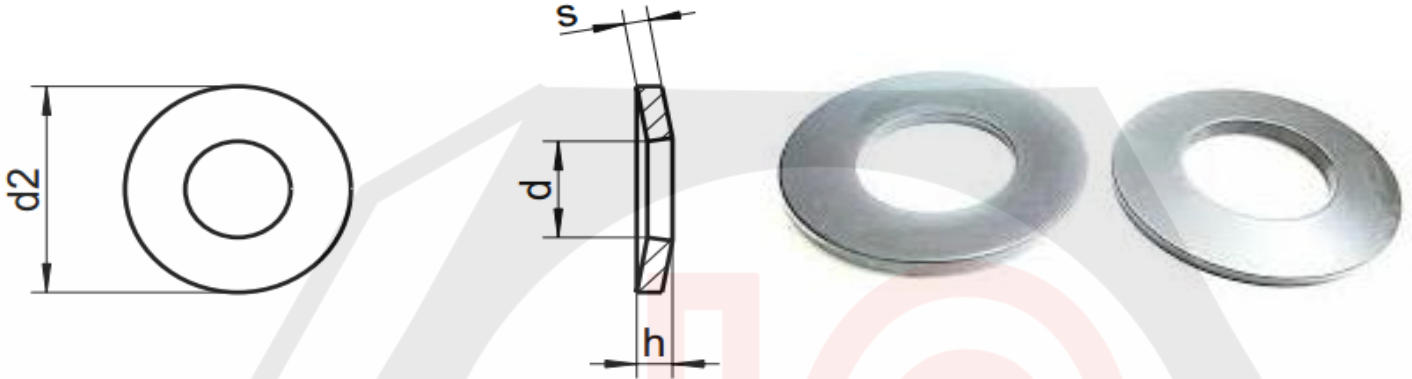
sales@jcfasteners.com

DIN 6796 Conical Spring Washer



Catalogue Datasheet **B4D20**

Stainless Steel A2/1.4301 (SS304)



Quote the item code given below with your order/ inquiries:

Dimensions in mm

| Nominal Size | Item Code | Inside Diameter | | Outside Diameter | | Height | | Thickness |
|------------------|--------------------|-----------------|--------|------------------|--------|--------|-------|-----------|
| | | d1 min | d1 max | d2 min | d2 max | h min | h max | |
| Bolt Size | Part Number | | | | | | | s |
| M2 | B4D2002000 | 2.20 | 2.45 | 4.70 | 5.00 | 0.50 | 0.60 | 0.60 |
| M2.5 | B4D2020500 | 2.70 | 2.95 | 5.70 | 6.00 | 0.61 | 0.72 | 0.60 |
| M3 | B4D2003000 | 3.20 | 3.45 | 6.64 | 7.00 | 0.72 | 0.85 | 0.60 |
| M4 | B4D2004000 | 4.30 | 4.60 | 8.64 | 9.00 | 1.12 | 1.30 | 1.00 |
| M5 | B4D2005000 | 5.30 | 5.60 | 10.57 | 11.00 | 1.35 | 1.55 | 1.20 |
| M6 | B4D2006000 | 6.40 | 6.76 | 13.57 | 14.00 | 1.70 | 2.00 | 1.50 |
| M8 | B4D2008000 | 8.40 | 8.76 | 17.57 | 18.00 | 2.24 | 2.60 | 2.00 |
| M10 | B4D2010000 | 10.50 | 10.93 | 22.48 | 23.00 | 2.80 | 3.20 | 2.50 |
| M12 | B4D2012000 | 13.00 | 13.43 | 28.48 | 29.00 | 3.43 | 3.95 | 3.00 |
| M14 | B4D2014000 | 15.00 | 15.43 | 34.38 | 35.00 | 4.04 | 4.65 | 3.50 |
| M16 | B4D2016000 | 17.00 | 17.43 | 38.38 | 39.00 | 4.58 | 5.25 | 4.00 |
| M18 | B4D2018000 | 19.00 | 19.52 | 41.38 | 42.00 | 5.08 | 5.80 | 4.50 |
| M20 | B4D2020000 | 21.00 | 21.52 | 44.38 | 45.00 | 5.60 | 6.40 | 5.00 |
| M22 | B4D2022000 | 23.00 | 23.52 | 48.38 | 49.00 | 6.15 | 7.05 | 5.50 |
| M24 | B4D2024000 | 25.00 | 25.52 | 55.26 | 56.00 | 6.77 | 7.75 | 6.00 |
| M27 | B4D2027000 | 28.00 | 28.52 | 59.26 | 60.00 | 7.30 | 8.35 | 6.50 |
| M30 | B4D2030000 | 31.00 | 31.62 | 69.26 | 70.00 | 8.00 | 9.20 | 7.00 |

Sizes in Blue are non preferred. Availability may be limited and MOQ higher

Data is strictly informative

Note: All Austenitic Stainless Steel Fasteners may exhibit some magnetic properties due to the manufacturing process.

Refer: ISO 3506-2 Annex F