



Since : 1993

J.C. GUPTA & SONS

Fastener Super Speciality

GSTIN : 29AABFJ2719C1ZO
IEC : 00710030274

#7/A, Sree Venkateshwara Building, Sadar Patrappe Road, Bengaluru - 560002



41478141, 9880539870



www.jcfasteners.com



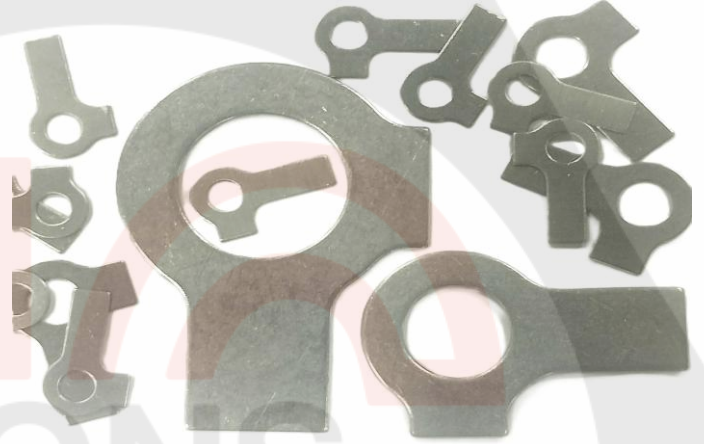
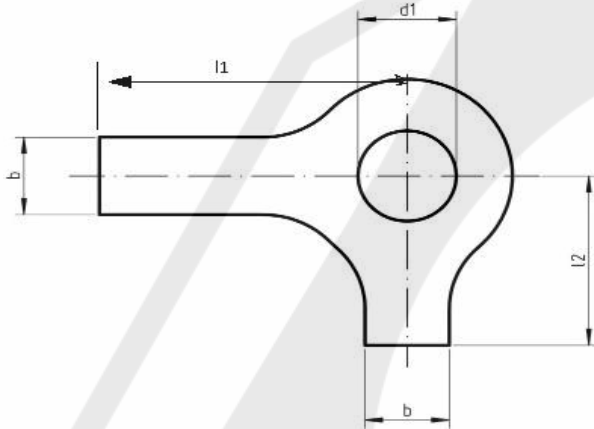
sales@jcfasteners.com

DIN 463 Tab Washers With 2 Tabs - Long & Short Tab



Catalogue Datasheet **B4D08**

Stainless Steel A2/1.4301 (SS304)



Quote the item code given below with your order/ inquiries:

Dimensions in mm

Bolt Size (Nominal Size) d1	Item Code	Outside Diameter d2	Tab Width b	Tab Length		Thickness s
				l1	l2	
M3 (3.2)	B4D0803000	7.00	4	13.00	5.00	0.38
M4 (4.3)	B4D0804000	9.00	5	14.00	6.50	0.38
M5 (5.3)	B4D0805000	10.00	6	16.00	8.00	0.50
M6 (6.4)	B4D0806000	12.50	7	18.00	9.00	0.50
M8 (8.4)	B4D0808000	17.00	8	20.00	11.00	0.75
M10 (10.5)	B4D0810000	21.00	10	22.00	13.00	0.75
M12 (13)	B4D0812000	24.00	12	28.00	15.00	1.00
M14 (15)	B4D0814000	28.00	12	28.00	16.00	1.00
M16(17)	B4D0816000	30.00	15	32.00	18.00	1.00
M18 (19)	B4D0818000	34.00	18	36.00	20.00	1.00
M20 (21)	B4D0820000	37.00	18	36.00	21.00	1.00
M22 (23)	B4D0822000	39.00	20	42.00	23.00	1.00
M24 (25)	B4D0824000	44.00	20	42.00	25.00	1.00
M27 (28)	B4D0827000	50.00	23	48.00	29.00	10.00
M30 (31)	B4D0830000	56.00	26	52.00	32.00	10.00

Sizes in BLUE are non-preferred. Availability is limited and MOQ higher.

Data is strictly informative

Note: All Austenitic Stainless Steel Fasteners may exhibit some magnetic properties due to the manufacturing process.

Refer: ISO 3506-2 Annex F