



Since : 1993

J.C. GUPTA & SONS

Fastener Super Speciality

GSTIN : 29AABFJ2719C1ZO
IEC : 00710030274

#7/A, Sree Venkateshwara Building, Sadar Patrappa Road, Bengaluru - 560002

41478141, 22290559, 9880539870 www.jcfasteners.com info@jcfasteners.com / jcsons@gmail.com

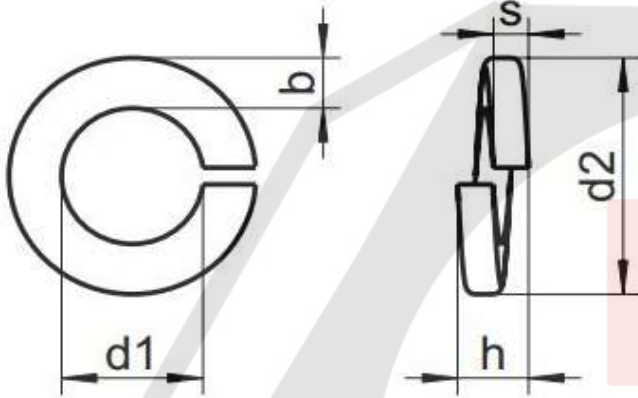
DIN 127 B SPRING WASHER FLT

BLACK



Catalogue Data Sheet **U6D06**

AINI 316 A4



Quote the item code given below with your order/ inquiries:

Dimensions in MM

Nominal Size	Item Code	Inside Diameter d1		Outside Diameter	height	width	Thickness
Bolt Size	PART NUMBER	MIN	MAX	d2 MAX	h min.	b Nom	s Nom
M2	U6D0602600	2.10	2.40	4.40	1.00	0.90	0.50
M2.2	U6D0620260	2.30	2.60	4.80	1.20	1.00	0.60
M2.5	U6D0620560	2.60	2.90	5.10	1.20	1.00	0.60
M3	U6D0603600	3.10	3.40	6.20	1.60	1.30	0.80
M3.5	U6D0630560	3.60	3.90	6.70	1.60	1.30	0.80
M4	U6D0604600	4.10	4.40	7.60	1.80	1.50	0.90
M5	U6D0605600	5.10	5.40	9.20	2.40	2.50	1.20
M6	U6D0606600	6.10	6.50	11.80	3.20	2.50	1.60
M7	U6D0607600	7.10	7.50	12.80	3.40	2.50	1.60
M8	U6D0608600	8.10	8.50	14.80	4.00	3.00	1.60
M10	U6D0610600	10.20	10.70	18.10	4.40	3.50	2.00
M12	U6D0612600	12.20	12.70	21.10	5.00	4.00	2.20
M14	U6D0614600	14.20	14.70	24.10	6.00	4.50	2.50
M16	U6D0616600	16.20	17.00	27.40	7.00	5.00	3.00
M18	U6D0618600	18.20	19.00	29.40	7.00	5.00	3.50
M20	U6D0620600	20.20	21.20	33.60	8.00	6.00	3.50
M22	U6D0622600	22.50	23.50	35.90	8.00	6.00	4.00
M24	U6D0624600	24.50	25.50	40.00	10.00	7.00	4.00
M27	U6D0627600	27.50	28.50	43.00	10.00	7.00	5.00
M30	U6D0630600	30.50	31.70	48.20	12.00	8.00	5.00
M33	U6D0633600	33.50	34.70	55.20	12.00	10.00	6.00
M36	U6D0636600	36.50	37.70	58.20	12.00	10.00	6.00
M39	U6D0639600	39.50	40.70	61.20	12.00	10.00	6.00
M42	U6D0642600	42.50	43.70	68.20	14.00	12.00	7.00
M45	U6D0645600	45.50	47.00	71.20	14.00	12.00	7.00
M48	U6D0648600	49.00	50.50	75.00	14.00	12.00	7.00

Sizes in Blue are non preferred. Availability may be limited and MOQ higher

Data is strictly informative

Note: All Austenitic Stainless Steel Fasteners may exhibit some magnetic properties due to the manufacturing process. Refer: ISO 3506-2 Annex F