



Since : 1993

J.C. GUPTA & SONS

Fastener Super Speciality

GSTIN : 29AABFJ2719C1ZO
IEC : 00710030274

#7/A, Sree Venkateshwara Building, Sadar Patrapa Road, Bengaluru - 560002



41478141, 9880539870



www.jcfasteners.com



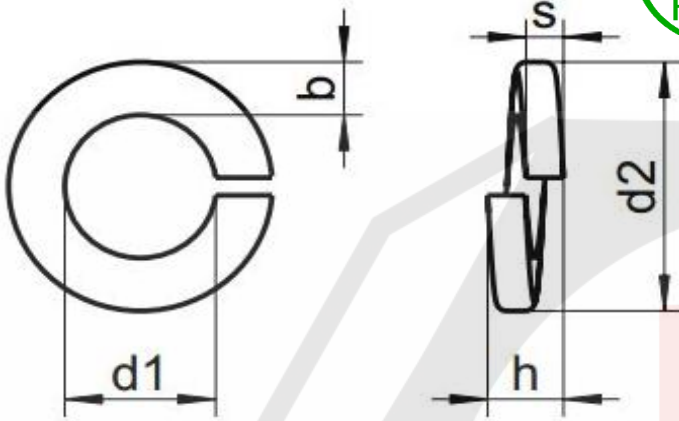
sales@jcfasteners.com

DIN 127 B SPRING WASHER FLT



Catalogue Datasheet **G1D06**

Spring Steel



Quote the item code given below with your order/ inquiries:

Dimensions in MM

Nominal Size	Item Code	Inside Diameter d1		Outside Diameter	Height	Width	Thickness
		Min	Max	d2 Max	h Min	b Nom	s Nom
Bolt Size	PART NUMBER						
M2	G1D0602000	2.10	2.40	4.40	1.00	0.90	0.50
M2.2	G1D0620200	2.30	2.60	4.80	1.20	1.00	0.60
M2.5	G1D0620500	2.60	2.90	5.10	1.20	1.00	0.60
M3	G1D0603000	3.10	3.40	6.20	1.60	1.30	0.80
M3.5	G1D0630500	3.60	3.90	6.70	1.60	1.30	0.80
M4	G1D0604000	4.10	4.40	7.60	1.80	1.50	0.90
M5	G1D0605000	5.10	5.40	9.20	2.40	2.50	1.20
M6	G1D0606000	6.10	6.50	11.80	3.20	2.50	1.60
M7	G1D0607000	7.10	7.50	12.80	3.40	2.50	1.60
M8	G1D0608000	8.10	8.50	14.80	4.00	3.00	1.60
M10	G1D0610000	10.20	10.70	18.10	4.40	3.50	2.00
M12	G1D0612000	12.20	12.70	21.10	5.00	4.00	2.20
M14	G1D0614000	14.20	14.70	24.10	6.00	4.50	2.50
M16	G1D0616000	16.20	17.00	27.40	7.00	5.00	3.00
M18	G1D0618000	18.20	19.00	29.40	7.00	5.00	3.50
M20	G1D0620000	20.20	21.20	33.60	8.00	6.00	3.50
M22	G1D0622000	22.50	23.50	35.90	8.00	6.00	4.00
M24	G1D0624000	24.50	25.50	40.00	10.00	7.00	4.00
M27	G1D0627000	27.50	28.50	43.00	10.00	7.00	5.00
M30	G1D0630000	30.50	31.70	48.20	12.00	8.00	5.00
M33	G1D0633000	33.50	34.70	55.20	12.00	10.00	6.00
M36	G1D0636000	36.50	37.70	58.20	12.00	10.00	6.00
M39	G1D0639000	39.50	40.70	61.20	12.00	10.00	6.00
M42	G1D0642000	42.50	43.70	68.20	14.00	12.00	7.00
M45	G1D0645000	45.50	47.00	71.20	14.00	12.00	7.00
M48	G1D0648000	49.00	50.50	75.00	14.00	12.00	7.00

Sizes in Blue are non preferred. Availability may be limited and MOQ higher

Data is strictly informative