



Since : 1993

J.C. GUPTA & SONS

Fastener Super Speciality

#7/A, Sree Venkateshwara Building, Sadar Patrappe Road, Bengaluru - 560002



41478141, 9880539870



www.jcfasteners.com



sales@jcfasteners.com

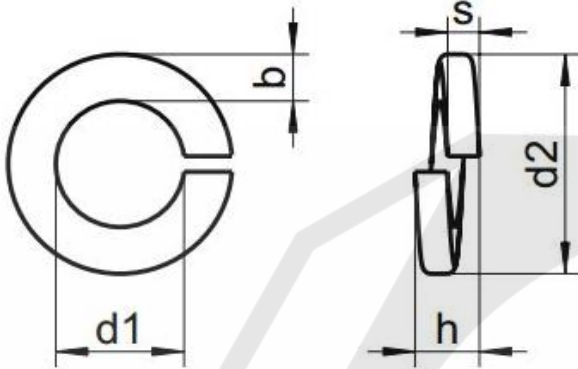
GSTIN : 29AABFJ2719C1ZO
IEC : 00710030274

DIN 127 B SPRING WASHER FLT



Catalogue Data Sheet **B9D06**

AISI 301 A1



Quote the item code given below with your order/ inquiries:

Dimensions in MM

Nominal Size	Item Code	Inside Diameter d1		Outside Diameter	Height h		Width b		Thickness s	
		min	max	d2 max	min	max	min	max	min	max
Bolt Size	PART NUMBER									
M2	B9D0602000	2.1	2.4	4.4	1.0	1.2	0.80	1.00	0.40	0.60
M2.2	B9D0620200	2.3	2.6	4.8	1.0	1.2	0.90	1.10	0.50	0.70
M2.5	B9D0620500	2.6	2.9	5.1	1.2	1.4	0.90	1.10	0.50	0.70
M3	B9D0603000	3.1	3.4	6.2	1.6	1.9	1.20	1.40	0.70	0.90
M3.5	B9D0630500	3.6	3.9	6.7	1.6	1.9	1.20	1.40	0.70	0.90
M4	B9D0604000	4.1	4.4	7.6	1.8	2.1	1.40	1.60	0.80	1.00
M5	B9D0605000	5.1	5.4	9.2	2.4	2.8	1.70	1.90	1.10	1.30
M6	B9D0606000	6.1	6.5	11.8	3.2	3.8	2.35	2.65	1.50	1.70
M7	B9D0607000	7.1	7.5	12.8	3.4	4.2	2.35	2.65	1.50	1.70
M8	B9D0608000	8.1	8.5	14.8	4.0	4.7	2.85	3.15	1.90	2.10
M10	B9D0610000	10.2	10.7	18.1	4.4	5.2	3.30	3.70	2.05	2.35
M12	B9D0612000	12.2	12.7	21.1	5.0	5.9	3.80	4.20	2.35	2.65
M14	B9D0614000	14.2	14.7	24.1	6.0	7.1	4.30	4.70	2.85	3.15
M16	B9D0616000	16.2	17.0	27.4	7.0	8.3	4.80	5.20	3.30	3.70
M18	B9D0618000	18.2	19.0	29.4	7.0	8.3	4.80	5.20	3.30	3.70
M20	B9D0620000	20.2	21.2	33.6	8.0	9.4	5.80	6.20	3.80	4.20
M22	B9D0622000	22.5	23.5	35.9	8.0	9.4	5.80	6.20	3.80	4.20
M24	B9D0624000	24.5	25.5	40.0	10.0	11.8	6.75	7.25	4.80	5.20
M27	B9D0627000	27.5	28.5	43.0	10.0	11.8	6.75	7.25	4.80	5.20
M30	B9D0630000	30.5	31.7	48.2	12.0	14.2	7.75	8.25	5.80	6.20
M33	B9D0633000	33.5	34.7	55.2	12.0	14.2	9.75	10.25	5.80	6.20
M36	B9D0636000	36.5	37.7	58.2	12.0	14.2	9.75	10.25	5.80	6.20
M39	B9D0639000	39.5	40.7	61.2	12.0	14.2	9.75	10.25	5.80	6.20
M42	B9D0642000	42.5	43.7	68.2	14.0	16.5	11.75	12.25	6.75	7.25
M45	B9D0645000	45.5	47.0	71.2	14.0	16.5	11.75	12.25	6.75	7.25
M48	B9D0648000	49.0	50.5	75.0	14.0	16.5	11.75	12.25	6.75	7.25

Sizes in Blue are non preferred. Availability may be limited and MOQ higher

Data is strictly informative

Note: All Austenitic Stainless Steel Fasteners may exhibit some magnetic properties due to the manufacturing process. Refer: ISO 3506-2 Annex F