



Since : 1993

# J.C. GUPTA & SONS

Fastener Super Speciality

GSTIN : 29AABFJ2719C1ZO  
IEC : 00710030274

#7/A, Sree Venkateshwara Building, Sadar Patrapa Road, Bengaluru - 560002

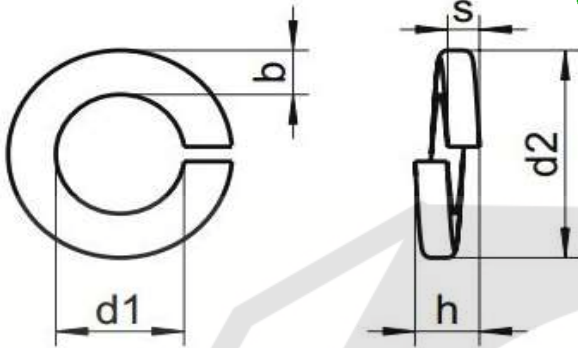
41478141, 22290559, 9880539870 www.jcfasteners.com info@jcfasteners.com / jcsons@gmail.com

## DIN 127 B SPRING WASHER FLT



Catalogue Data Sheet **B6D06**

**AINI 316 A4**



Quote the item code given below with your order/ inquiries:

Dimensions in MM

Nominal Size	Item Code	Inside Diameter d1		Outside Diameter	height h		width b		Thickness s	
		MIN	MAX	d2 MAX	Min	Max	Min	Max	Min	Max
<b>Bolt Size</b>	<b>PART NUMBER</b>									
<b>M2</b>	B6D0602000	2.10	2.40	4.40	1.00	1.20	0.80	1.00	0.40	0.60
<b>M2.2</b>	B6D0620200	2.30	2.60	4.80	1.00	1.20	0.90	1.10	0.50	0.70
<b>M2.5</b>	B6D0620500	2.60	2.90	5.10	1.20	1.40	0.90	1.10	0.50	0.70
<b>M3</b>	B6D0603000	3.10	3.40	6.20	1.60	1.90	1.20	1.40	0.70	0.90
<b>M3.5</b>	B6D0630500	3.60	3.90	6.70	1.60	1.90	1.20	1.40	0.70	0.90
<b>M4</b>	B6D0604000	4.10	4.40	7.60	1.80	2.10	1.40	1.60	0.80	1.00
<b>M5</b>	B6D0605000	5.10	5.40	9.20	2.40	2.80	1.70	1.90	1.10	1.30
<b>M6</b>	B6D0606000	6.10	6.50	11.80	3.20	3.80	2.35	2.65	1.50	1.70
<b>M7</b>	B6D0607000	7.10	7.50	12.80	3.40	4.20	2.35	2.65	1.50	1.70
<b>M8</b>	B6D0608000	8.10	8.50	14.80	4.00	4.70	2.85	3.15	1.90	2.10
<b>M10</b>	B6D0610000	10.20	10.70	18.10	4.40	5.20	3.30	3.70	2.05	2.35
<b>M12</b>	B6D0612000	12.20	12.70	21.10	5.00	5.90	3.80	4.20	2.35	2.65
<b>M14</b>	B6D0614000	14.20	14.70	24.10	6.00	7.10	4.30	4.70	2.85	3.15
<b>M16</b>	B6D0616000	16.20	17.00	27.40	7.00	8.30	4.80	5.20	3.30	3.70
<b>M18</b>	B6D0618000	18.20	19.00	29.40	7.00	8.30	4.80	5.20	3.30	3.70
<b>M20</b>	B6D0620000	20.20	21.20	33.60	8.00	9.40	5.80	6.20	3.80	4.20
<b>M22</b>	B6D0622000	22.50	23.50	35.90	8.00	9.40	5.80	6.20	3.80	4.20
<b>M24</b>	B6D0624000	24.50	25.50	40.00	10.00	11.80	6.75	7.25	4.80	5.20
<b>M27</b>	B6D0627000	27.50	28.50	43.00	10.00	11.80	6.75	7.25	4.80	5.20
<b>M30</b>	B6D0630000	30.50	31.70	48.20	12.00	14.20	7.75	8.25	5.80	6.20
<b>M33</b>	B6D0633000	33.50	34.70	55.20	12.00	14.20	9.75	10.25	5.80	6.20
<b>M36</b>	B6D0636000	36.50	37.70	58.20	12.00	14.20	9.75	10.25	5.80	6.20
<b>M39</b>	B6D0639000	39.50	40.70	61.20	12.00	14.20	9.75	10.25	5.80	6.20
<b>M42</b>	B6D0642000	42.50	43.70	68.20	14.00	16.50	11.75	12.25	6.75	7.25
<b>M45</b>	B6D0645000	45.50	47.00	71.20	14.00	16.50	11.75	12.25	6.75	7.25
<b>M48</b>	B6D0648000	49.00	50.50	75.00	14.00	16.50	11.75	12.25	6.75	7.25

Sizes in Blue are non preferred. Availability may be limited and MOQ higher

Data is strictly informative

**Note:** All Austenitic Stainless Steel Fasteners may exhibit some magnetic properties due to the manufacturing process. Refer: ISO 3506-2 Annex F