



Since : 1993

J.C. GUPTA & SONS

Fastener Super Speciality

GSTIN : 29AABFJ2719C1ZO
IEC : 00710030274

#7/A, Sree Venkateshwara Building, Sadar Patrappe Road, Bengaluru - 560002



41478141, 9880539870



www.jcfasteners.com



sales@jcfasteners.com

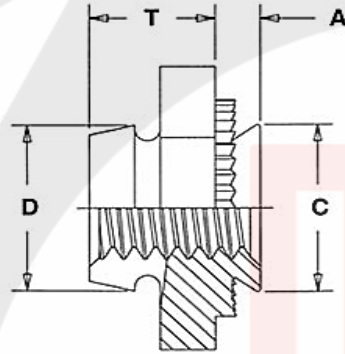
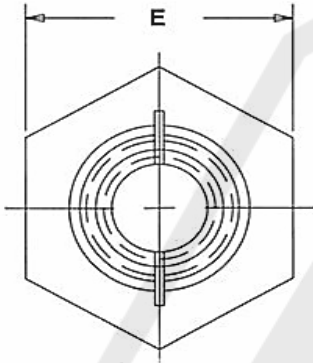
Clinch Lock Nut LKS

For use in Steel Sheets max HRB 70



Catalogue Datasheet **B4C76**

Stainless Steel A2



Size →	M2.5x0.45	M3x0.5	M4x0.7	M5x0.8
C max	4.38	4.76	6.76	7.94
D max	4.45	4.85	6.20	7.40
E (Across Flat) nom	6.35	6.35	8.73	9.53
T ± 0.25	3.43	3.43	4.45	5.21
Hole size in sheet + 0.08	4.37	4.75	6.76	7.92
Min dist hole centre to edge	3.90	4.00	5.20	5.60

Quote the item code given below with your order/ inquiries:

Dimensions in mm

Size	Shank Code	Item Code	Sheet Thickness	Shank A	Installation Force kN		Pushout Force N	
			Min	Max	AL	ST	AL	ST
M2.5x0.45	1	B4C7620501	1	0.97	7.00	13.00	560	650
	2	B4C7620502	1.4	1.38	8.70	13.00	650	690
M3x0.5	1	B4C7603001	1	0.97	7.00	13.00	560	650
	2	B4C7603002	1.4	1.38	8.70	13.00	870	1080
M4x0.7	1	B4C7604001	1	0.97	11.80	17.50	650	825
	2	B4C7604002	1.4	1.38	13.00	18.70	1080	1310
M5x0.8	1	B4C7605001	1	0.97	14.00	17.50	650	1080
	2	B4C7605002	1.4	1.38	14.00	18.70	1080	1310

Sizes in BLUE are non-preferred. Availability is limited and MOQ is higher.

Data is strictly informative

Note: All Austenitic Stainless Steel Fasteners may exhibit some magnetic properties due to the manufacturing process.

Refer: ISO 3506-2 Annex F

INSTALLATION

