



Since : 1993

# J.C. GUPTA & SONS

Fastener Super Speciality

GSTIN : 29AABFJ2719C1ZO  
IEC : 00710030274

#7/A, Sree Venkateshwara Building, Sadar Patrappe Road, Bengaluru - 560002



41478141, 9880539870



www.jcfasteners.com



sales@jcfasteners.com

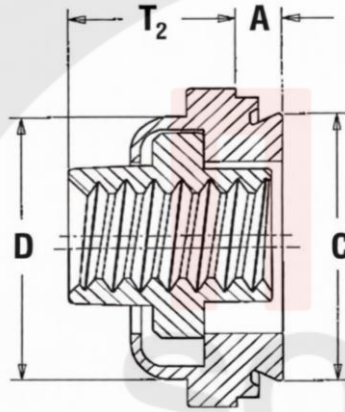
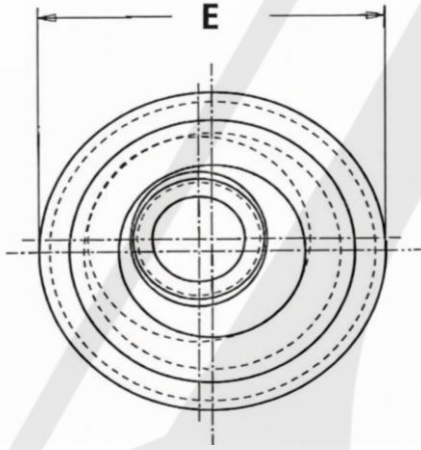
## Clinch Floating Lock Nut LAC

For use in Steel Sheets max HRB 70



## Catalogue Datasheet B4C77

Stainless Steel A2



Size →	M3x0.5	M4x0.7	M5x0.8	M6x1.0
C max	7.35	9.33	10.29	13.06
D max	7.37	9.28	10.29	12.96
E ± 0.38	9.14	11.18	11.94	15.24
T2 Max	4.83	5.34	6.90	7.88
Hole size in sheet + 0.08	7.37	9.35	10.31	13.08
Min dist hole centre to edge	7.62	8.64	9.14	10.67

Quote the item code given below with your order/ inquiries:

Dimensions in mm

Size	Shank Code	Item Code	Sheet Thickness	Shank A	Installation Force kN		Pushout Force N	
			Min	Max	5052 AL	ST	5052 AL	ST
M3x0.5	1	B4C7720501	0.97	0.97	6.70	13.30	956	1334
	2	B4C7720502	1.38	1.38	8.90	13.30	1000	1334
M4x0.7	1	B4C7703001	0.97	0.97	8.90	13.30	1112	1334
	2	B4C7703002	1.38	1.38	8.90	13.30	1178	1779
M5x0.8	1	B4C7704001	0.97	0.97	8.90	15.60	1334	1779
	2	B4C7704002	1.38	1.38	8.90	15.60	1556	2001
M6x1.0	2	B4C7705001	1.38	1.38	13.30	22.20	1779	2224

Sizes in BLUE are non-preferred. Availability is limited and MOQ is higher.

Data is strictly informative

**Note:** All Austenitic Stainless Steel Fasteners may exhibit some magnetic properties due to the manufacturing process.

Refer: ISO 3506-2 Annex F