



Since : 1993

J.C. GUPTA & SONS

Fastener Super Speciality

#7/A, Sree Venkateshwara Building, Sadar Patrappa Road, Bengaluru - 560002

41478141, 9880539870 www.jcfasteners.com sales@jcfasteners.com

GSTIN : 29AABFJ2719C1ZO
IEC : 00710030274

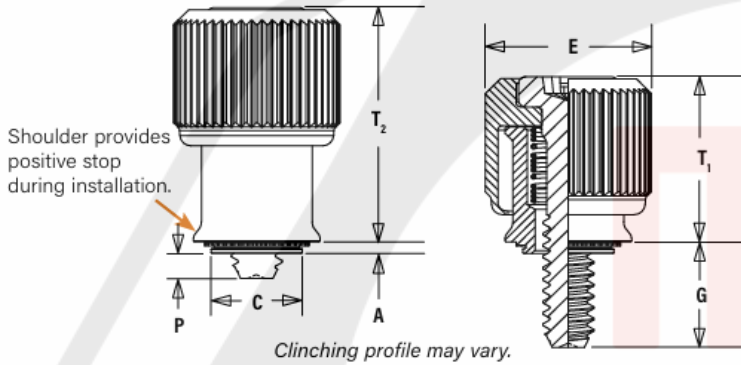
Captive Fastener PF11

Self-Colour



Catalogue Datasheet H1uK36

AL-SS



Dimensions in inches

Thread Size →	#4-40	#6-32	#8-32	#10-32	1/4-20	
A Max	0.036	0.036	0.036	0.036	0.036	
Sheet thickness Min	0.036	0.036	0.036	0.036	0.036	
Hole Size In Sheet +.003	0.219	0.250	0.312	0.312	0.375	
C Max.	0.218	0.249	0.311	0.311	0.374	
E ± .015	0.417	0.450	0.514	0.514	0.575	
T ₁ Nom.	0.310	0.450	0.450	0.450	0.530	
T ₂ Nom.	0.450	0.640	0.640	0.640	0.790	
Driver Size	#1	#2	#2	#2	#3	
Min. Dist. Hole To Edge	0.28	0.29	0.33	0.33	0.46	
G ± .035	Length Code 0	0.17	0.23	0.23	0.23	0.29
	Length Code 1	0.23	0.29	0.29	0.29	0.35
	Length Code 2	0.29	0.35	0.35	0.35	0.41
P ± .035	Length Code 0	0.00	0.00	0.00	0.00	0.00
	Length Code 1	0.06	0.06	0.06	0.06	0.06
	Length Code 2	0.12	0.12	0.12	0.12	0.12

Quote the item code given below with your order/ inquiries:

Thread Size→ Screw Length Code↓	#4-40	#6-32	#8-32	#10-32	1/4-20
0	H1uK3644000	H1uK3663200	H1uK3683200	H1vK3613200	H1uK3662000
1	H1uK3644001	H1uK3663201	H1uK3683201	H1vK3613201	H1uK3662001
2	H1uK3644002	H1uK3663202	H1uK3683202	H1vK3613202	H1uK3662002

Sizes in BLUE are non-preferred. Availability is limited and MOQ is higher.

		Performance Data				
Test Sheet Material		#4-40	#6-32	#8-32	#10-32	1/4-20
Installation (lbs.)	Aluminium	1500	2000	3000	3000	3500
	Steel	2500	3500	4500	4500	5000
Retainer Pushout (lbs.)	Aluminium	80	95	100	100	105
	Steel	145	150	160	160	195