

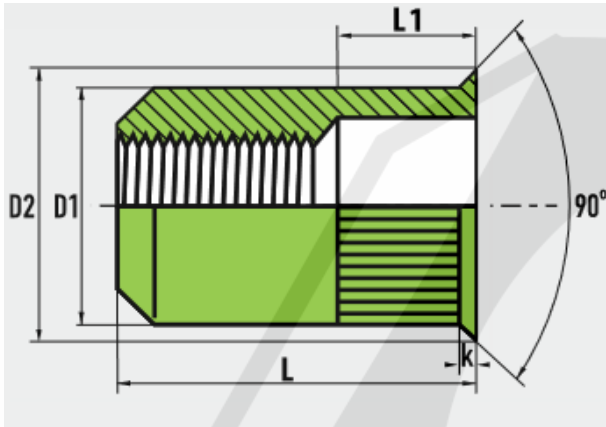


BLIND RIVET NUT Open Type Small Countersunk (RCSK)



Catalogue Datasheet **B4C42S**

Stainless Steel A2/1.4301 (SS304)



Dimensions in mm

Thread Size d	Part No	Grip Range	Hole Size	Body Dia D1	Collar Dia	Body Length	Collar Thickness	Pull-In	Maximum Torque
					$D2 \pm 0.30$	$L \pm 0.50$	$k \pm 0.30$		
M3x0.5	B4C4203001S	0.5 - 2.0	5.00	4.8	5.8	9.0	0.8	4000 N	1.2 Nm
M4x0.7	B4C4204001S	0.5 - 2.5	6.00	5.9	7.0	10.0	0.8	6800 N	3.0 Nm
M5x0.8	B4C4205001S	0.5 - 2.5	7.00	6.9	8.0	11.5	0.8	10000 N	6.0 Nm
M6x1.0	B4C4206001S	0.5 - 3.0	9.00	8.9	10.0	14.0	0.8	15000 N	10.0 Nm
M8x1.25	B4C4208001S	0.5 - 3.0	11.00	10.9	12.0	15.5	0.8	27000 N	24.0 Nm
M10x1.5	B4C4210001S	0.8 - 3.5	13.00	12.9	14.5	19.5	1.0	37000 N	38.0 Nm
M12x1.75	B4C4212001S	1.5 - 3.5	16.00	15.9	17.6	24.0	1.0	54000 N	82.0 Nm

Sizes in BLUE are non-preferred. Availability is limited and MOQ is higher.

Data is strictly informative

