



Since : 1993

J.C. GUPTA & SONS

Fastener Super Speciality

GSTIN : 29AABFJ2719C1ZO
IEC : 00710030274

#7/A, Sree Venkateshwara Building, Sadar Patrapa Road, Bengaluru - 560002

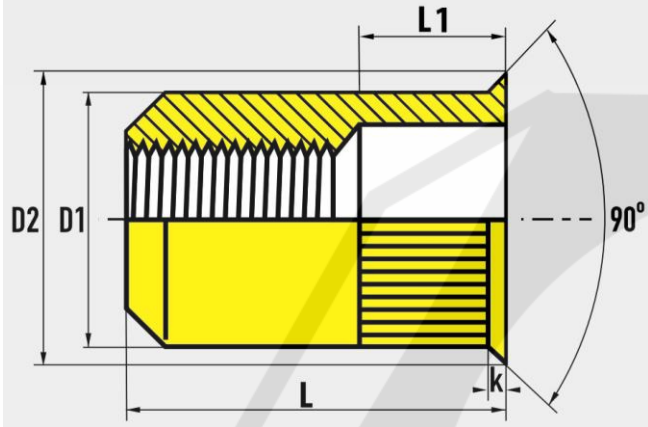
41478141, 9880539870 www.jcfasteners.com sales@jcfasteners.com



Catalogue Datasheet **A2uC42**

Steel zinc plated

BLIND RIVET NUT Open Type Small Countersunk (RCSK)



Dimensions in inches

Thread Size	Item Code	Grip Range	Hole Size	Body Dia D1	Collar Dia	Body Length	Collar Thickness	Pull-In	Maximum Torque
					$D2 \pm 0.01$	$L \pm 0.015$	$k \pm 0.002$		
UNC 6-32	A2uC4263201	0.020-0.080	0.266	0.265	0.310	0.420	0.019	520 lbf	47 lbf
	A2uC4263202	0.080-0.130				0.470			
UNC 8-32	A2uC4283201	0.020-0.080	0.266	0.265	0.310	0.420	0.019	520 lbf	65 lbf
	A2uC4283202	0.080-0.130				0.470			
UNC 10-24	A2uC4212401	0.020-0.130	0.297	0.296	0.340	0.475	0.019	630 lbf	95 lbf
	A2uC4212402	0.130-0.225				0.585			
UNF 10-32	A2vC4213201	0.020-0.130	0.297	0.296	0.340	0.475	0.019	630 lbf	95 lbf
	A2vC4213202	0.130-0.225				0.585			
UNC 1/4-20	A2uC4262001	0.027-0.165	0.391	0.390	0.455	0.580	0.022	685 lbf	235 lbf
	A2uC4262002	0.165-0.260				0.680			
UNC 5/16-18	A2uC4279001	0.027-0.150	0.531	0.530	0.595	0.690	0.022	1115 lbf	235 lbf
	A2uC4279002	0.150-0.312				0.805			
UNC 3/8-16	A2uC4291001	0.027-0.150	0.531	0.530	0.595	0.690	0.022	1115 lbf	235 lbf
	A2uC4291002	0.150-0.312				0.805			

Sizes in BLUE are non-preferred. Availability is limited and MOQ is higher.

Data is strictly informative

