



Since : 1993

J.C. GUPTA & SONS

Fastener Super Speciality

GSTIN : 29AABFJ2719C1ZO
IEC : 00710030274

#7/A, Sree Venkateshwara Building, Sadar Patrapa Road, Bengaluru - 560002



41478141, 9880539870



www.jcfasteners.com



sales@jcfasteners.com

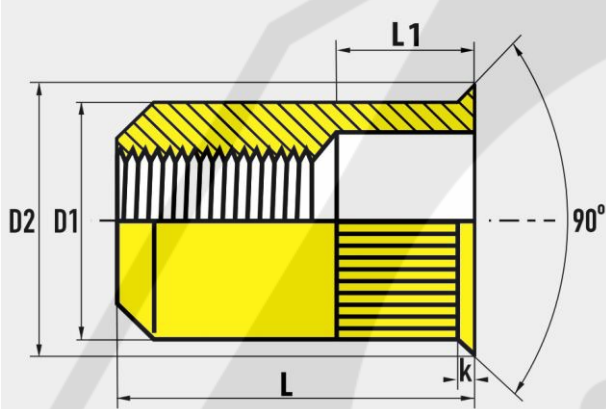
BLIND RIVET NUT OPEN

Round Shank Knurled RCSK (Reduced CSK)



Catalogue Datasheet **A2C42G**

Steel zinc plated [AISI 1008]



Dimensions in mm

Thread Size	Part No	Grip Range	Hole Size	D1 Body Dia	D2 ± 0.30	L ± 0.50	k ± 0.30	Pull-In	Maximum Torque
Dia					Collar Dia	Body Length	Collar Thickness		
M3x0.5 1GR	A2C4203001G	0.5-2.5 mm	5.0 mm	4.9	6.0	9.5	0.7	4000 N	1.2 Nm
M3x0.5 2GR	A2C4203002G	2.5-4.0 mm				11.0			
M4x0.7 1GR	A2C4204001G	0.5-3.0 mm	6.0 mm	5.9	7.0	10.0	0.7	6800 N	3.0 Nm
M4x0.7 2GR	A2C4204002G	3.0-4.5 mm				11.5			
M5x0.8 1GR	A2C4205001G	0.5-3.0 mm	7.0 mm	6.9	8.0	11.5	0.7	10000 N	6.0 Nm
M5x0.8 2GR	A2C4205002G	3.0-4.5 mm				13.0			
M6x1.0 1GR	A2C4206001G	0.5-3.0 mm	9.0 mm	8.9	10.0	14.0	0.7	15000 N	10.0 Nm
M6x1.0 2GR	A2C4206002G	3.0-5.5 mm				16.5			
M8x1.25 1GR	A2C4208001G	0.5-3.0 mm	11.0 mm	10.9	12.0	15.5	0.7	27000 N	24.0 Nm
M8x1.25 2GR	A2C4208002G	3.0-5.5 mm				18.0			
M10x1.5 1GR	A2C4210001G	0.8-3.5 mm	13.0 mm	12.9	14.5	19.5	0.8	37000 N	48.0 Nm
M10x1.5 2GR	A2C4210002G	3.5-6.0 mm				22.0			
M12x1.75 1GR	A2C4212001G	0.8-3.5 mm	16.0 mm	15.9	17.5	23.5	0.8	54000 N	82.0 Nm
M12x1.75 2GR	A2C4212002G	3.5-6.0 mm				26.0			

Sizes in Blue are non preferred. Availability is limited and higher MOQ may apply.

Data is strictly informative

