



Since : 1993

J.C. GUPTA & SONS

Fastener Super Speciality

#7/A, Sree Venkateshwara Building, Sadar Patrapa Road, Bengaluru - 560002



41478141, 9880539870



www.jcfasteners.com



sales@jcfasteners.com

GSTIN : 29AABFJ2719C1ZO
IEC : 00710030274

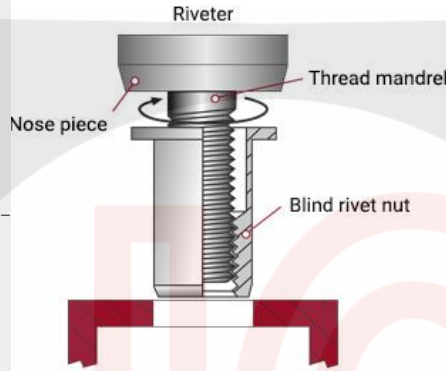
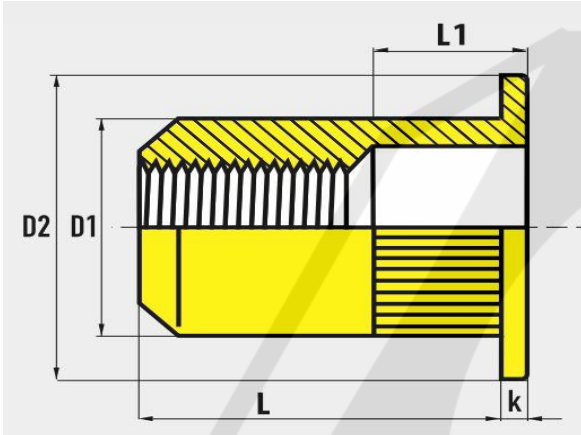
BLIND RIVET NUT Large Flange [LF]

Round Shank Knurled OPEN



Catalogue Datasheet **A2C41**

Steel zinc plated



Dimensions in inches unless specified

Thread Size	Item Code	Grip Range	Hole Size	Body Dia D1	Collar Dia	Body Length	Collar Thickness	Pull-In	Maximum Torque
					D2	L	k		
UNC 6-32	A2uC4163201	0.020-0.080	0.266	0.265	0.390	0.420	0.030	520 lbf	47 lbf
		(0.5-2.0mm)	(6.76mm)	(6.73mm)	(9.91mm)	(10.67mm)	(0.76mm)		
UNC 8-32	A2uC4183201	0.020-0.080	0.266	0.265	0.390	0.420	0.030	520 lbf	65 lbf
		(0.5-2.0mm)	(6.76mm)	(6.73mm)	(9.91mm)	(10.67mm)	(0.76mm)		
UNC 10-24	A2uC4112401	0.020-0.130	0.297	0.296	0.415	0.475	0.030	630 lbf	95 lbf
		(0.5-3.3mm)	(7.54mm)	(7.52mm)	(10.54mm)	(12.07mm)	(0.76mm)		
UNF 10-32	A2vC4113201	0.020-0.130	0.297	0.296	0.415	0.475	0.030	630 lbf	95 lbf
		(0.5-3.3mm)	(7.54mm)	(7.52mm)	(10.54mm)	(12.07mm)	(0.76mm)		
UNC 1/4-20	A2uC4162001	0.027-0.150	0.391	0.390	0.500	0.580	0.030	685 lbf	235 lbf
		(0.7-3.8mm)	(9.93mm)	(9.91mm)	(12.7mm)	(14.73mm)	(0.76mm)		
UNC 5/16-18	A2uC4179001	0.027-0.150	0.531	0.530	0.685	0.690	0.035	1115 lbf	235 lbf
		(0.7-3.8mm)	(13.49mm)	(13.46mm)	(17.4mm)	(17.53mm)	(0.89mm)		
UNC 3/8-16	A2uC4191001	0.027-0.150	0.531	0.530	0.685	0.690	0.035	1115 lbf	235 lbf
		(0.7-3.8mm)	(13.49mm)	(13.46mm)	(17.4mm)	(17.53mm)	(0.89mm)		

Sizes in Blue are non preferred. Availability is limited and higher MOQ may apply.

Data is strictly informative

