



Since : 1993

# J.C. GUPTA & SONS

Fastener Super Speciality

GSTIN : 29AABFJ2719C1ZO  
IEC : 00710030274

#7/A, Sree Venkateshwara Building, Sadar Patrapa Road, Bengaluru - 560002

41478141, 9880539870 www.jcfasteners.com sales@jcfasteners.com

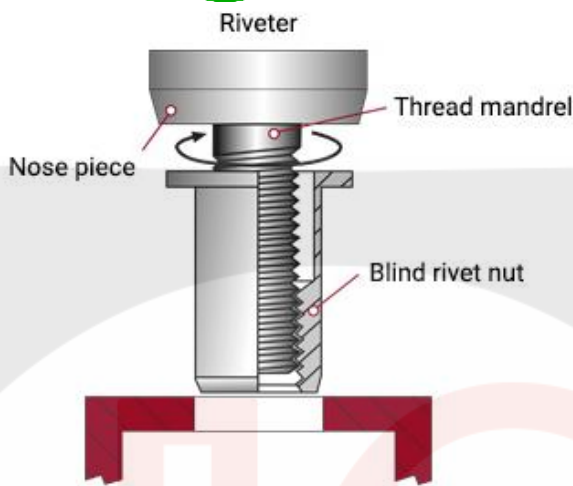
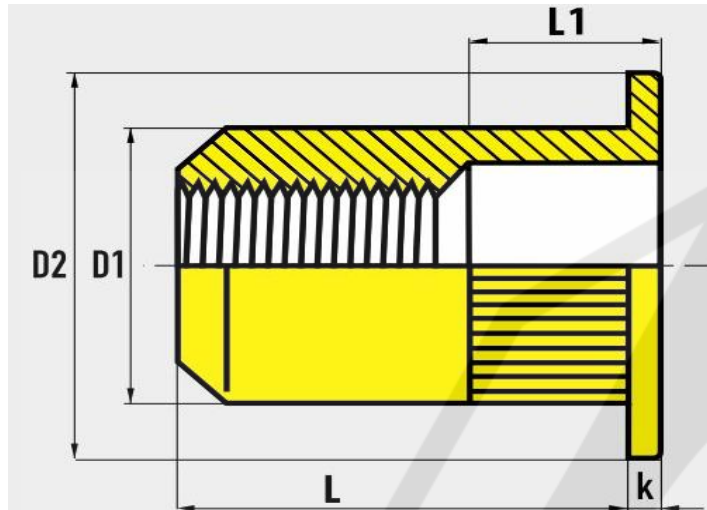
## BLIND RIVET NUT OPEN

Round Shank Knurled Large Flange [LF]



Catalogue datasheet **A2C41G**

**Steel zinc plated [ AISI 1008 ]**



Dimensions in mm

Thread Size	Part No	Grip Range	Hole Size	D1 Body Dia	D2	L	k	Pull-In	Maximum Torque
Dia					Collar Dia	Body Length	Collar Thickness		
M3x0.5 1GR	A2C4103001G	0.5-2.5 mm	5.0 mm	4.9	7.0	10.0	0.9	4000 N	1.2 Nm
M3x0.5 2GR	A2C4103002G	2.5-4.0 mm				11.5			
M4x0.7 1GR	A2C4104001G	0.5-3.0 mm	6.0 mm	5.9	9.0	10.0	1.0	6800N	3.0 Nm
M4x0.7 2GR	A2C4104002G	3.0-4.5 mm				11.5			
M5x0.8 1GR	A2C4105001G	0.5-3.0 mm	7.0 mm	6.9	10.0	12.0	1.0	10000 N	6.0 Nm
M5x0.8 2GR	A2C4105002G	3.0-5.5 mm				15.0			
M5x0.8 3GR	A2C4105003G	5.5 -8.0 mm				18.0			
M6x1.0 1GR	A2C4106001G	0.5-3.0 mm	9.0 mm	8.9	13.0	14.5	1.5	15000 N	10.0 Nm
M6x1.0 2GR	A2C4106002G	3.0-5.5 mm				16.0			
M6x1.0 3GR	A2C4106003G	5.0-8.0 mm				19.5			
M8x1.25 1GR	A2C4108001G	0.5-3.0 mm	11.0 mm	10.9	16.0	16.0	1.5	27000 N	24.0 Nm
M8x1.25 2GR	A2C4108002G	3.0 -5.5 mm				18.5			
M8x1.25 3GR	A2C4108003G	5.0-8.0 mm				21.0			
M10x1.5 1GR	A2C4110001G	0.5-3.0 mm	13.0 mm	12.9	19.0	17.0	2.0	37000 N	48.0 Nm
M10x1.5 2GR	A2C4110002G	3.0-6.0 mm				22.0			
M10x1.5 3GR	A2C4110003G	6.0-9.0 mm				25.0			
M12x1.75 1GR	A2C4112001G	1.0-4.0 mm	16.0 mm	15.9	23.0	23.0	2.0	54000 N	82.0 Nm
M12x1.75 2GR	A2C4112002G	4.0-7.0 mm				26.0			
M16x2.0 1GR	A2C4116001G	1.0-4.5 mm	21.0 mm	20.9	26.0	30.8	2.5	80000 N	160.0 Nm

Sizes in Blue are non preferred. Availability is limited and higher MOQ may apply.

Data is strictly informative

