



Since : 1993

J.C. GUPTA & SONS

Fastener Super Speciality

#7/A, Sree Venkateshwara Building, Sadar Patrapa Road, Bengaluru - 560002

41478141, 9880539870 www.jcfasteners.com sales@jcfasteners.com

GSTIN : 29AABFJ2719C1ZO
IEC : 00710030274

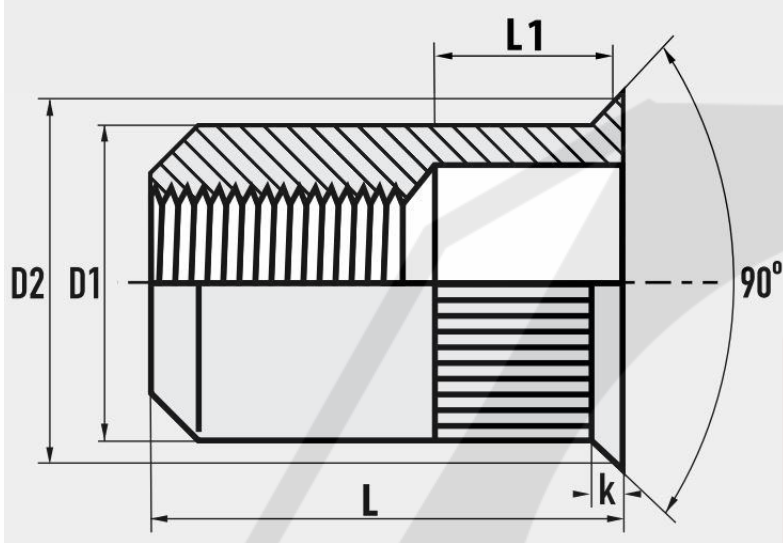
BLIND RIVET NUT OPEN

Round Shank Knurled Countersunk Head [CSK]



Catalogue Datasheet **E4C68G**

Aluminium AlMg 5 [AISI 5056]



Dimensions in mm

Thread Size	Part No	Grip Range	Hole Size	D1 Body Dia	D2	L	k	Pull-In	Maximum Torque
Dia					Collar Dia	Body Length	Collar Thickness		
M3x0.5 1GR	E4C6803001G	1.5-3.5 mm	5.0 mm	4.9	7.0	11.5	1.7	2500 N	0.7 Nm
M4x0.7 1GR	E4C6804001G	1.5-4.0 mm	6.0 mm	5.9	9.0	12.0	1.7	3600 N	2.0 Nm
M4x0.7 2GR	E4C6804002G	4.0-5.5 mm				13.5			
M5x0.8 1GR	E4C6805001G	1.5-4.0 mm	7.0 mm	6.9	10.0	13.5	1.7	5500 N	4.0 Nm
M5x0.8 2GR	E4C6805002G	4.0-6.5 mm				16.0			
M6x1.0 1GR	E4C6806001G	1.5-4.5 mm	9.0 mm	8.9	12.0	16.0	1.7	8300 N	6.0 Nm
M6x1.0 2GR	E4C6806002G	4.0-6.5 mm				18.0			
M8x1.25 1GR	E4C6808001G	1.5-4.5 mm	11.0 mm	10.9	14.0	19.0	1.7	1300 N	15.0 Nm
M8x1.25 2GR	E4C6808002G	4.0-6.5 mm				21.0			
M10x1.5 1GR	E4C6810001G	1.5-4.5 mm	13.0 mm	12.9	16.0	21.0	1.7	20000 N	27.0 Nm
M10x1.5 2GR	E4C6810002G	4.5-7.5 mm				24.0			
M12x1.75 1GR	E4C6812001G	1.7-4.5 mm	16.0 mm	15.9	19.0	25.0	1.7	28000 N	45.0 Nm
M12x1.75 2GR	E4C6812002G	4.5-7.5 mm				27.5			

Sizes in blue have limited availability. MOQ may be higher.

Data is purely informative

