



Since : 1993

J.C. GUPTA & SONS

Fastener Super Speciality

#7/A, Sree Venkateshwara Building, Sadar Patrapa Road, Bengaluru - 560002

41478141, 9880539870 www.jcfasteners.com sales@jcfasteners.com

GSTIN : 29AABFJ2719C1ZO
IEC : 00710030274

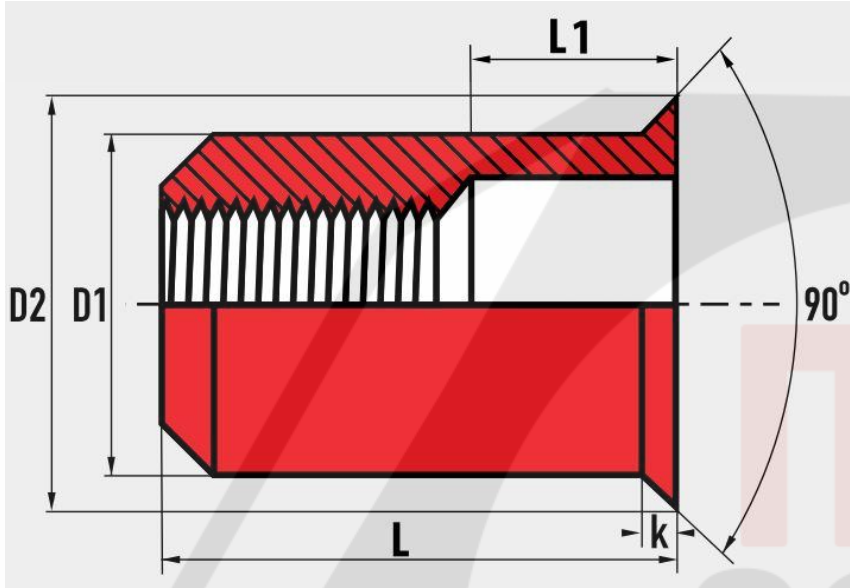
BLIND RIVET NUT OPEN

Round Shank Knurled Countersunk Head [CSK]



Catalogue Datasheet **B6C68S**

Stainless Steel A4/1.4401 (SS316)



Dimensions in mm

Thread Size	Part No	Grip Range	Hole Size	D1 Body Dia	D2	L	k	Pull-In	Maximum Torque
Dia					Collar Dia	Body Length	Collar Thickness		
M3x0.5 1GR	B6C6803001S	1.5-2.5 mm	4.9 mm	4.8	8.0	9.0	1.7	4000 N	1.2 Nm
M4x0.7 1GR	B6C6804001S	1.5-3.5 mm	6.0 mm	5.9	9.0	11.5	1.7	6800 N	3.0 Nm
M5x0.8 1GR	B6C6805001S	1.5-4.0 mm	7.0 mm	6.9	10.0	13.5	1.7	10000 N	6.0 Nm
M6x1.0 1GR	B6C6806001S	1.5-4.5 mm	9.0 mm	8.9	12.0	16.0	1.7	15000 N	10.0 Nm
M8x1.25 1GR	B6C6808001S	1.5-4.5 mm	11.0 mm	10.9	14.0	19.0	1.7	27000 N	24.0 Nm
M10x1.5 1GR	B6C6810001S	1.5-4.5 mm	13.0 mm	12.9	16.0	21.0	1.7	37000 N	48.0 Nm
M12x1.75 1GR	B6C6812001S	1.7-4.5 mm	15.0 mm	14.9	18.0	24.0	1.7	54000 N	82.0 Nm

Sizes in blue have limited availability. MOQ may be higher.

Data is purely informative

