



Since : 1993

# J.C. GUPTA & SONS

Fastener Super Speciality

GSTIN : 29AABFJ2719C1ZO  
IEC : 00710030274

#7/A, Sree Venkateshwara Building, Sadar Patrapa Road, Bengaluru - 560002

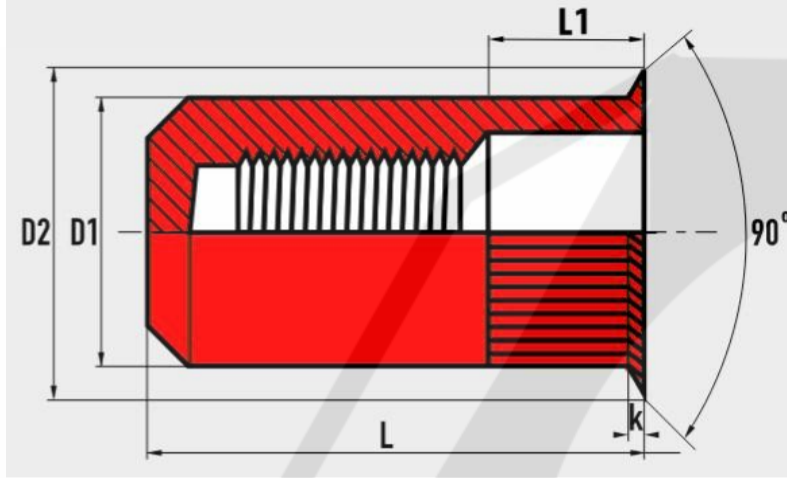
41478141, 9880539870 www.jcfasteners.com sales@jcfasteners.com

## BLIND RIVET NUT CLOSED Round Shank Knurled RCSK (Reduced CSK)



Catalogue Datasheet **B6C63S**

**Stainless Steel A4/1.4401 (SS316)**



Dimensions in mm

Thread Size	Part No	Grip Range	Hole Size	D1 Body Dia	D2	L	k	Pull-In	Maximum Torque
Dia					Collar Dia	Body Length	Collar Thickness		
M3x0.5 1GR	B6C6303001S	0.5 - 2.5 mm	5.0 mm	4.9	6.0	15.5	0.8	3500 N	1.0 Nm
M4x0.7 1GR	B6C6304001S	0.5 - 3.0 mm	6.0 mm	5.9	7.0	16.5	0.8	6000 N	2.8 Nm
M5x0.8 1GR	B6C6305001S	0.5 - 3.0 mm	7.0 mm	6.9	8.0	19.0	0.8	10000 N	6.0 Nm
M6x1.0 1GR	B6C6306001S	0.5 - 3.0 mm	9.0 mm	8.9	10.0	22.0	0.8	15000 N	10.0 Nm
M8x1.25 1GR	B6C6308001S	0.5 - 3.0 mm	11.0 mm	10.9	12.0	25.0	0.8	27000 N	24.0 Nm
M10x1.5 1GR	B6C6310001S	0.8 - 3.5 mm	13.0 mm	12.9	14.5	30.0	1.0	37000 N	48.0 Nm
M12x1.75 1GR	B6C6312001S	0.8 - 4.0 mm	16.0 mm	15.9	17.6	31.5	1.0	48000 N	68.0 Nm

Sizes in blue have limited availability. MOQ may be higher.

Data is purely informative

