



Since : 1993

J.C. GUPTA & SONS

Fastener Super Speciality

#7/A, Sree Venkateshwara Building, Sadar Patrappa Road, Bengaluru - 560002

41478141, 9880539870 www.jcfasteners.com sales@jcfasteners.com

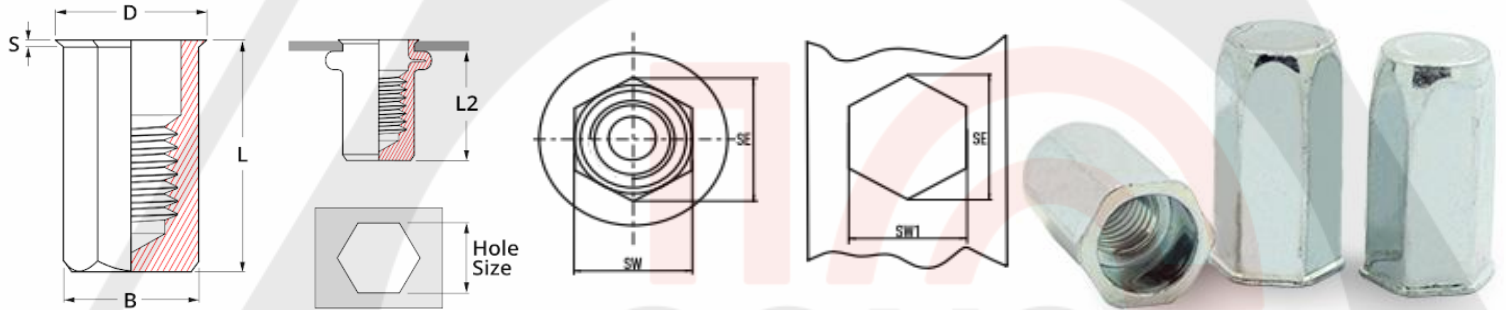
GSTIN : 29AABFJ2719C1ZO
IEC : 00710030274

BLIND RIVET NUT CLOSED Hexagonal Shank Reduced CSK (RCSK)



Catalogue Datasheet **A2C70**

Steel zinc plated



Dimensions in mm

Thread Size	Part No	Grip Range	Hole Size Hex	Body Dia AF	Collar Dia AF	Body Length	Collar Thickness	Pull-In	Maximum Torque
Dia			SW1	SW	D	L	S		
M4x0.7 1GR	A2C7004001	0.5 - 2.5	6 mm	5.95	7.0	16.0	0.50	6300 N	3.0 Nm
M5x0.8 1GR	A2C7005001	0.5 - 3.0	7 mm	6.95	8.0	20.0	0.50	8800 N	6.0 Nm
M6x1.0 1GR	A2C7006001	0.5 - 3.0	9 mm	8.95	10.0	20.5	0.60	14400 N	10.0 Nm
M8x1.25 1GR	A2C7008001	0.5 - 3.0	11 mm	10.95	12.0	23.0	0.65	15000 N	24.0 Nm
M10x1.5 1GR	A2C7010001	0.8 - 3.5	13 mm	12.95	14.5	28.5	0.75	19700 N	45.0 Nm

Sizes in Blue are non preferred. Availability is limited and higher MOQ may apply.

Data is strictly informative

