



Since : 1993

J.C. GUPTA & SONS

Fastener Super Speciality

#7/A, Sree Venkateshwara Building, Sadar Patrappa Road, Bengaluru - 560002



41478141, 9880539870



www.jcfasteners.com



sales@jcfasteners.com

GSTIN : 29AABFJ2719C1ZO
IEC : 00710030274

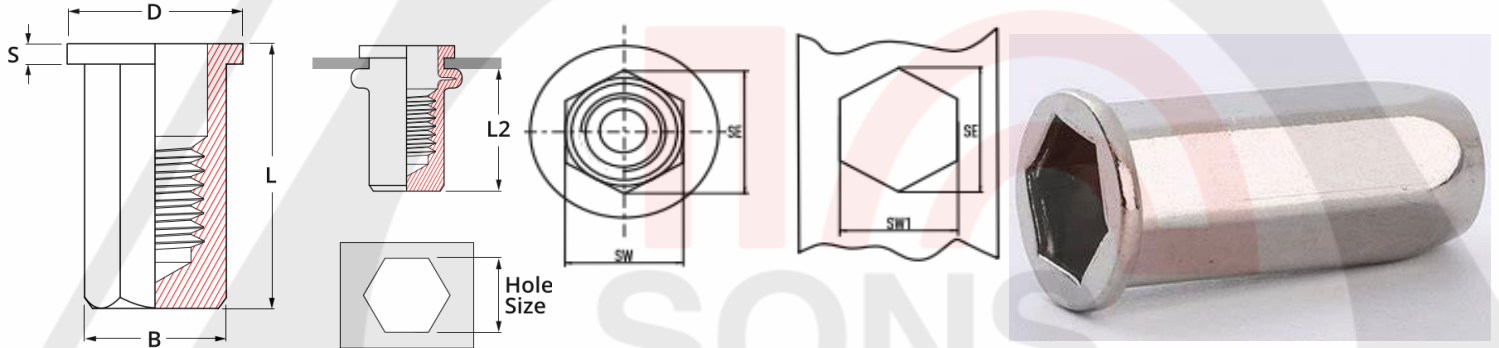
BLIND RIVET NUT CLOSED

Hexagonal Shank Large Flange (LF)



Catalogue Datasheet **A2C69**

Steel zinc plated



Dimensions in mm

Thread Size	Item Code	Grip Range	Hole Size Hex	Body Dia AF	Collar Dia AF	Body Length	Collar Thickness	Pull-In	Maximum Torque
Dia			SW1	SW	D	L	S		
M4x0.7 1GR	A2C6904001	0.5 - 2.5	6 mm	5.95	9.0	15.0	1.0	6300 N	3.0 Nm
M5x0.8 1GR	A2C6905001	0.5 - 3.0	7 mm	6.95	10.0	18.0	1.0	8800 N	6.0 Nm
M6x1.0 1GR	A2C6906001	0.5 - 3.0	9 mm	8.95	12.7	23.0	1.5	14400 N	10.0 Nm
M8x1.25 1GR	A2C6908001	0.5 - 3.0	11 mm	10.95	16.0	26.0	1.5	15000 N	24.0 Nm
M10x1.5 1GR	A2C6910001	0.8 - 3.5	13 mm	12.95	19.0	33.0	1.8	19700 N	45.0 Nm

Sizes in Blue are non preferred. Availability is limited and higher MOQ may apply.

Data is strictly informative

