



Since : 1993

J.C. GUPTA & SONS

Fastener Super Speciality

#7/A, Sree Venkateshwara Building, Sadar Patrappa Road, Bengaluru - 560002



41478141, 9880539870



www.jcfasteners.com



sales@jcfasteners.com

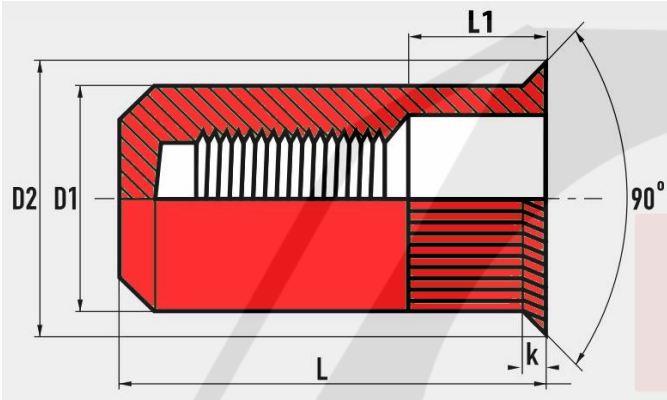
GSTIN : 29AABFJ2719C1ZO
IEC : 00710030274

BLIND RIVET NUT CLOSED Round Shank Knurled CSK



Catalogue Datasheet **B6C73S**

Stainless Steel A4/1.4401 (SS316)



Dimensions in mm

Thread Size	Part No	Grip Range	Hole Size	D1 Body Dia	D2	L	k	Pull-In	Maximum Torque
Dia					Collar Dia	Body Length	Collar Thickness		
M3x0.5 1GR	B6C7303001S	1.5 - 3.0	5.0	4.9	8.0	16.5	1.7	4000 N	1.2 Nm
M4x0.7 1GR	B6C7304001S	1.5 - 4.0	6.0	5.9	9.0	17.5	1.7	6800 N	3.0 Nm
M5x0.8 1GR	B6C7305001S	1.5 - 4.0	7.0	6.9	10.0	20.5	1.7	10000 N	6.0 Nm
M6x1.0 1GR	B6C7306001S	1.5 - 4.5	9.0	8.9	12.0	23.5	1.7	15000 N	10.0 Nm
M8x1.25 1GR	B6C7308001S	1.5 - 4.5	11.0	10.9	14.0	28.0	1.7	27000 N	24.0 Nm
M10x1.5 1GR	B6C7310001S	2.0 - 4.5	13.0	12.9	16.0	30.5	1.7	32000 N	48.0 Nm
M12x1.75 1GR	B6C7312001S	2.0 - 4.5	16.0	15.9	19.0	31.5	1.7	33000 N	70.0 Nm

Sizes in blue have limited availability. MOQ may be higher.

Data is purely informative

