



Since : 1993

J.C. GUPTA & SONS

Fastener Super Speciality

#7/A, Sree Venkateshwara Building, Sadar Patrapa Road, Bengaluru - 560002



41478141, 9880539870



www.jcfasteners.com



sales@jcfasteners.com

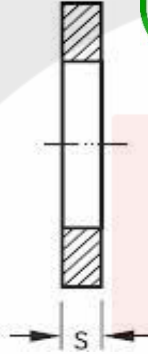
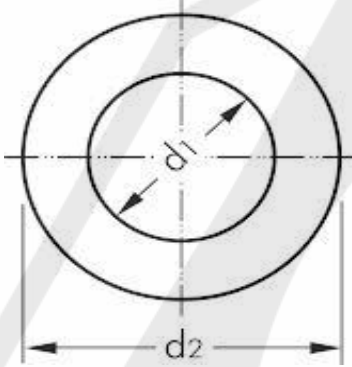
GSTIN : 29AABFJ2719C1ZO
IEC : 00710030274

ASME B 18.22.1 PLAIN WASHER

Inch Series

Catalogue Datasheet B4uD02

Stainless Steel A2/1.4301 (SS304)



Quote the item code given below with your order/ inquiries:

Dimensions in inches

Nominal Size Bolt Size	Item Code	Inner Diameter d1		Outer Diameter d2		Thickness s	
		Max	Min	Max	Min	Max	Min
#2	B4uD0225600	0.094	0.088	0.250	0.245	0.025	0.016
#4	B4uD0244000	0.133	0.119	0.320	0.315	0.040	0.025
#6	B4uD0263200	0.164	0.150	0.390	0.370	0.065	0.036
#8	B4uD0283200	0.196	0.182	0.453	0.433	0.065	0.036
#10	B4uD0212400	0.228	0.213	0.515	0.495	0.065	0.036
#12	B4uD0222400	0.266	0.244	0.577	0.557	0.080	0.051
1/4"	B4uD0262000	0.297	0.275	0.641	0.619	0.080	0.051
5/16"	B4uD0279000	0.360	0.338	0.704	0.680	0.080	0.051
3/8"	B4uD0291000	0.422	0.400	0.828	0.804	0.080	0.051
7/16"	B4uD0211000	0.485	0.463	0.938	0.914	0.080	0.051
1/2"	B4uD0213000	0.547	0.525	1.093	1.054	0.121	0.074
9/16"	B4uD0214000	0.610	0.588	1.187	1.148	0.121	0.074
5/8"	B4uD0215000	0.687	0.648	1.333	1.304	0.121	0.074
3/4"	B4uD0219000	0.843	0.804	1.781	1.742	0.160	0.108
7/8"	B4uD0223000	0.969	0.930	2.060	1.670	0.160	0.108
1"	B4uD0225000	1.093	1.054	2.031	1.992	0.160	0.108
1 1/8"	B4uD0228000	1.281	1.242	2.281	2.242	0.160	0.108
1 1/4"	B4uD0231000	1.406	1.367	2.531	2.492	0.192	0.136
1 1/2"	B4uD0238000	1.656	1.617	3.032	2.992	0.192	0.136

Sizes in Blue are non preferred. Availability may be limited and MOQ higher

Data is strictly informative

Note: All Austenitic Stainless Steel Fasteners may exhibit some magnetic properties due to the manufacturing process.

Refer: ISO 3506-2 Annex F