



Since : 1993

J.C. GUPTA & SONS

Fastener Super Speciality

GSTIN : 29AABFJ2719C1ZO
IEC : 00710030274

#7/A, Sree Venkateshwara Building, Sadar Patrappe Road, Bengaluru - 560002



41478141, 9880539870



www.jcfasteners.com



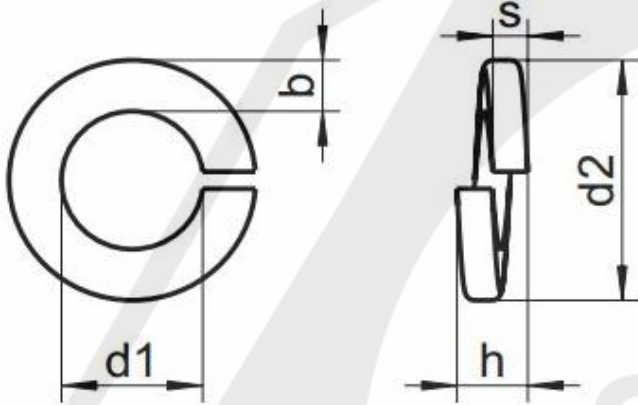
sales@jcfasteners.com

ASME B18.21.1 SPRING WASHER



Catalogue Datasheet **B9uD06**

AISI 301



Quote the item code given below with your order/ inquiries:

Dimensions in inches

Nominal Size	Item Code	Inside Diameter d1		Outside Diameter	Mean Thickness s	Width b
		max	min	d2 max	min	min
No.2 (0.086)	B9uD0625600	0.094	0.088	0.172	0.020	0.035
No.3 (0.099)	B9uD0634800	0.107	0.101	0.195	0.025	0.040
No.4 (0.112)	B9uD0644000	0.120	0.114	0.209	0.025	0.040
No.5 (0.125)	B9uD0654000	0.133	0.127	0.236	0.031	0.047
No.6 (0.138)	B9uD0663200	0.148	0.141	0.250	0.031	0.047
No.8 (0.164)	B9uD0683200	0.174	0.167	0.293	0.040	0.055
No.10 (0.190)	B9uD0612400	0.200	0.193	0.334	0.047	0.062
No.12 (0.216)	B9uD0612240	0.227	0.220	0.377	0.056	0.070
1/4 (0.250)	B9uD0662000	0.260	0.252	0.487	0.062	0.109
5/16 (0.3125)	B9uD0679000	0.322	0.314	0.583	0.078	0.125
3/8 (0.375)	B9uD0691000	0.385	0.377	0.680	0.094	0.141
7/16 (0.4375)	B9uD0611000	0.450	0.440	0.776	0.109	0.156
1/2 (0.500)	B9uD0613000	0.512	0.502	0.869	0.125	0.171
9/16 (0.5625)	B9uD0614000	0.574	0.564	0.965	0.141	0.188
5/8 (0.625)	B9uD0615000	0.641	0.628	1.073	0.156	0.203
3/4 (0.750)	B9uD0619000	0.766	0.753	1.265	0.188	0.234
7/8 (0.875)	B9uD0623000	0.894	0.878	1.459	0.219	0.266
1 (1.000)	B9uD0625000	1.024	1.003	1.656	0.250	0.297

Sizes in Blue are non preferred. Availability may be limited and MOQ higher

Data is strictly informative

Note: All Austenitic Stainless Steel Fasteners may exhibit some magnetic properties due to the manufacturing process.

Refer: ISO 3506-2 Annex F