

TIN No. : 29700094008
 CST No. : 00169626 Dt. 1-4-93
 GSTIN: 29AABFJ2719C1Z0

Subject to Bangalore jurisdiction only

Phone : 22237659,22290559

Email : info@jcfasteners.com
 jcsons@gmail.com



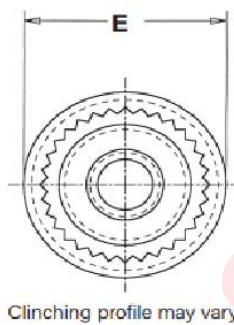
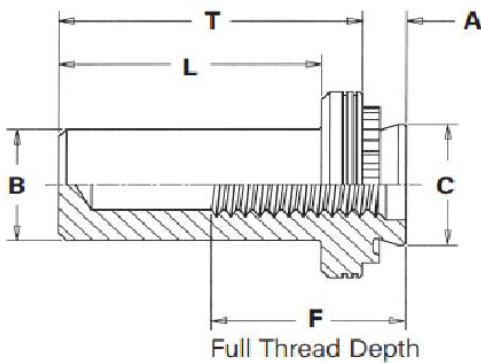
J.C. GUPTA & SONS
 HOUSE OF QUALITY FASTENERS

7/A, Sree Venkateshwara Building, Sadar Patrappe Road, Bangalore - 560 002.

Catalogue Data Sheet **B4C72**
AISI 304 A2



Self Clinching Blind Fastener BS



Clinching profile may vary.



A - Shank
 E - Collar Diameter

B - Body Diameter
 T - Total Length

L - Body Length
 C - Head Diameter

Quote the item code given below with your order/ inquiries:

Dimensions in mm

Size	Item Code	Min Sheet Thickness	Hole Dia +0.08	A Max	E ±0.25	B Max	T ±0.25	L Max	Pushout Load N	Torque Out Nm
M3x0.5-1	B4C7203001	1.00	4.22	0.97	6.35	3.84	9.60	8.50	550	1.50
M3x0.5-2	B4C7203002	1.40		1.38					1010	2.05
M4x0.7-1	B4C7204001	1.00	5.41	0.97	7.95	5.20	11.20	9.80	600	3.40
M4x0.7-2	B4C7204002	1.40		1.38					1250	5.10
M5x0.8-1	B4C7205001	1.00	6.35	0.97	8.75	6.02	11.20	9.80	620	4.00
M5x0.8-2	B4C7205002	1.40		1.38					1112	6.80
M6x1.0-1	B4C7206001	1.40	8.75	1.38	11.10	7.80	14.30	12.70	1760	11.90
M6x1.0-2	B4C7206002	2.29		2.21						

Note: Load Values for Cold-Rolled Steel Sheets

Data is strictly informative