

TIN No. : 2970009/008  
 CST No. : 00169626 Dt. 1-4-93  
 GSTIN: 29AABFJ2719C1Z0

Subject to Bangalore jurisdiction only

Phone : 22237659,22290559

Email : info@jcfasteners.com  
 jcsons@gmail.com



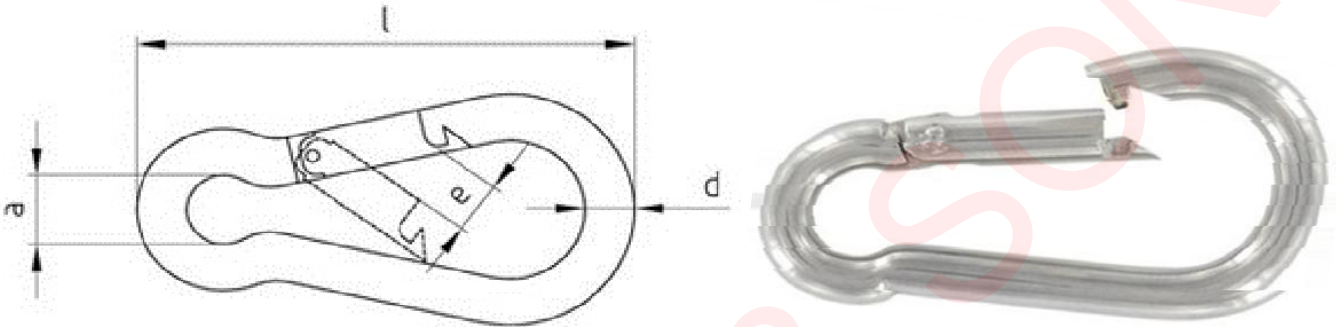
**J.C. GUPTA & SONS**  
 HOUSE OF QUALITY FASTENERS

# 7/A, Sree Venkateshwara Building, Sadar Patrappe Road, Bangalore - 560 002.

Catalogue Data Sheet B6G10

**AISI 316 A4**

**Spring Hook Marine Grade**



Dimensions in MM

Quote the item code given below with your order/ inquiries:

Size	Item Code	Total Length	Minor dia	Gap
<b>d</b>	<b>Part Number</b>	<b>l</b>	<b>a</b>	<b>e</b>
5	B6G1005050	50	10	8
6	B6G1006060	60	11	9
7	B6G1007070	70	13	9
8	B6G1008080	80	13	9
10	B6G1010100	100	16	12
11	B6G1011120	120	18	16
12	B6G1012140	140	20	19

Sizes are in BLUE have limited availability

Data is strictly informative