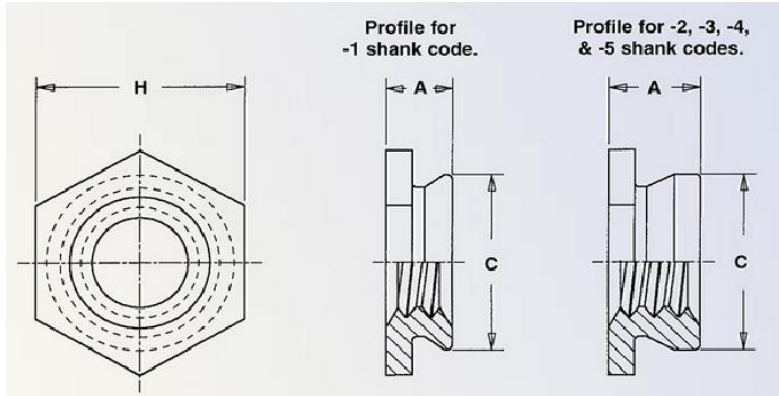




**Flush Nut JC-F**



Catalogue Data Sheet B4C71  
**AISI 304 A2**



Size	M2x0.4	M2.5x0.45	M3x0.5	M4x0.7	M5x0.8	M6x1.0		
<b>C</b>	4.35	4.35	4.35	7.35	7.90	8.72		
<b>H (Across Flat)</b>	4.80	4.80	4.80	7.90	8.70	9.50		

Dimensions in mm

Quote the item code given below with your order/ inquiries:

Size	Part No.	Min Sheet Thickness	A. (Shank) Max.
<b>M2-1</b>	<b>B4C7102001</b>	<b>1.53</b>	<b>1.53</b>
<b>M2-2</b>	<b>B4C7102002</b>	<b>2.32</b>	<b>2.30</b>
<b>M2.5-1</b>	B4C7120501	1.53	1.53
<b>M2.5-2</b>	B4C7120502	2.32	2.30
<b>M3-1</b>	B4C7103001	1.53	1.53
<b>M3-2</b>	B4C7103002	2.32	2.30

Size	Part No.	Min Sheet Thickness	A. (Shank) Max.
<b>M4-1</b>	B4C7104001	1.53	1.53
<b>M4-2</b>	B4C7104002	2.32	2.30
<b>M5-1</b>	B4C7105001	1.53	1.53
<b>M5-2</b>	B4C7105002	2.32	2.30
<b>M6-3</b>	B4C7106000	3.18	3.04
<b>M6-4</b>	B4C7106001	3.96	3.84
<b>M6-5</b>	B4C7106002	4.75	4.63

Sizes in BLUE are non-preferred. Availability is limited and MOQ is higher.

Data is strictly informative