



Since : 1993

J.C. GUPTA & SONS

Fastener Super Speciality

GSTIN : 29AABFJ2719C1ZO
IEC : 00710030274

#7/A, Sree Venkateshwara Building, Sadar Patrapa Road, Bengaluru - 560002



41478141, 9880539870



www.jcfasteners.com

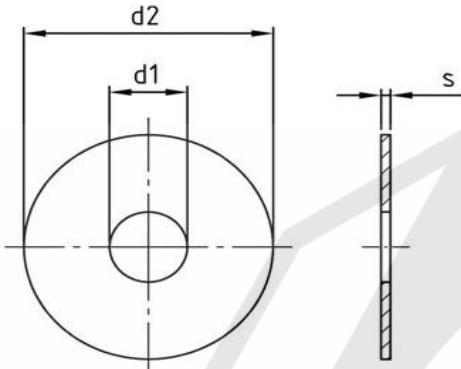


sales@jcfasteners.com

PENNY WASHER



Catalogue Datasheet **B4D49**
Stainless Steel A2/1.4301 (SS304)



Quote the item code given below with your order/ inquiries:

Dimensions in mm

Bolt Size	Item Code	Inner Diameter d1		Outer Diameter d2		Thickness
		Max	Min	Max	Min	s
M4	B4D4904112	4.48	4.30	12.00	11.57	1.00 ± 0.20
	B4D4904115	4.48	4.30	15.00	14.57	1.00 ± 0.20
	B4D4904220	4.48	4.30	20.00	19.48	1.25 ± 0.20
	B4D4904325	4.48	4.30	25.00	23.48	1.50 ± 0.20
M5	B4D4905315	5.48	5.30	15.00	14.57	1.50 ± 0.20
	B4D4905320	5.48	5.30	20.00	19.48	1.50 ± 0.20
	B4D4905325	5.48	5.30	25.00	23.48	1.50 ± 0.20
	B4D4905330	5.48	5.30	30.00	29.48	1.50 ± 0.20
M6	B4D4906320	6.62	6.40	20.00	19.48	1.50 ± 0.20
	B4D4906325	6.62	6.40	25.00	23.48	1.50 ± 0.20
	B4D4906330	6.62	6.40	30.00	29.48	1.50 ± 0.20
	B4D4906335	6.62	6.40	35.00	34.38	1.50 ± 0.20
	B4D4906340	6.62	6.40	40.00	39.38	1.50 ± 0.20
	B4D4906345	6.62	6.40	45.00	44.38	1.50 ± 0.20
	B4D4906350	6.62	6.40	50.00	49.38	1.50 ± 0.20
	B4D4906355	6.62	6.40	55.00	54.26	1.50 ± 0.20
M8	B4D4908320	8.62	8.40	20.00	19.48	1.50 ± 0.20
	B4D4908325	8.62	8.40	25.00	23.48	1.50 ± 0.20
	B4D4908330	8.62	8.40	30.00	29.48	1.50 ± 0.20
	B4D4908430	8.62	8.40	30.00	29.48	2.00 ± 0.20
	B4D4908335	8.62	8.40	35.00	34.38	1.50 ± 0.20
	B4D4908636	8.72	8.40	36.00	35.38	4.00 ± 0.40
	B4D4908340	8.62	8.40	40.00	39.38	1.50 ± 0.20
	B4D4908540	8.62	8.40	40.00	39.38	3.00 ± 0.30
	B4D4908345	8.62	8.40	45.00	44.38	1.50 ± 0.20
	B4D4908350	8.62	8.40	50.00	49.38	1.50 ± 0.20
	B4D4908355	8.62	8.40	55.00	54.26	1.50 ± 0.20
	B4D4908560	8.72	8.40	60.00	59.26	3.00 ± 0.30



Since : 1993

J.C. GUPTA & SONS

Fastener Super Speciality

GSTIN : 29AABFJ2719C1ZO
IEC : 00710030274

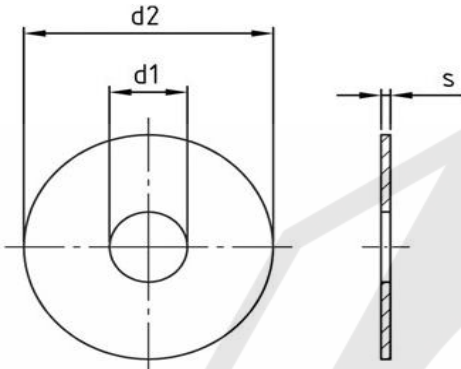
#7/A, Sree Venkateshwara Building, Sadar Patrapa Road, Bengaluru - 560002

41478141, 9880539870 www.jcfasteners.com sales@jcfasteners.com



PENNY WASHER

Catalogue Datasheet **B4D49**
Stainless Steel A2/1.4301 (SS304)



Quote the item code given below with your order/ inquiries:

Dimensions in mm

Bolt Size	Item Code	Inner Diameter d1		Outer Diameter d2		Thickness
		Max	Min	Max	Min	s
M10	B4D4910325	10.77	10.50	25.00	23.48	1.50 ± 0.20
	B4D4910330	10.77	10.50	30.00	29.48	1.50 ± 0.20
	B4D4910335	10.77	10.50	35.00	34.38	1.50 ± 0.20
	B4D4910340	10.77	10.50	40.00	39.38	1.50 ± 0.20
	B4D4910345	10.77	10.50	45.00	44.38	1.50 ± 0.20
	B4D4910350	10.77	10.50	50.00	49.38	1.50 ± 0.20
	B4D4910355	10.77	10.50	55.00	54.26	1.50 ± 0.20
M12	B4D4912330	12.77	12.50	30.00	29.48	1.50 ± 0.20
	B4D4912335	12.77	12.50	35.00	34.38	1.50 ± 0.20
	B4D4912632	13.27	13.00	32.00	33.38	4.00 ± 0.40
	B4D4912340	12.77	12.50	40.00	39.38	1.50 ± 0.20
	B4D4912345	12.77	12.50	45.00	44.38	1.50 ± 0.20
	B4D4912350	12.77	12.50	50.00	49.38	1.50 ± 0.20
	B4D4912355	12.77	12.50	55.00	54.26	1.50 ± 0.20
M16	B4D4916350	16.77	16.50	50.00	49.38	1.50 ± 0.20

Sizes in BLUE are non-preferred. Availability is limited and MOQ is higher.

Data is strictly informative

Note: All Austenitic Stainless Steel Fasteners may exhibit some magnetic properties due to the manufacturing process.

Refer: ISO 3506-2 Annex F